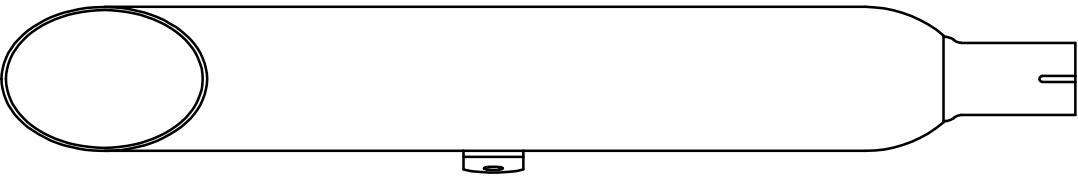
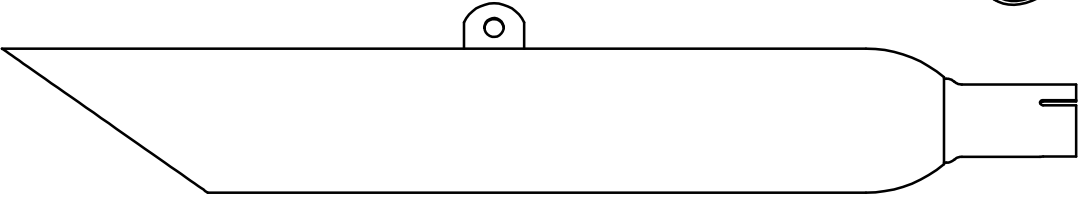
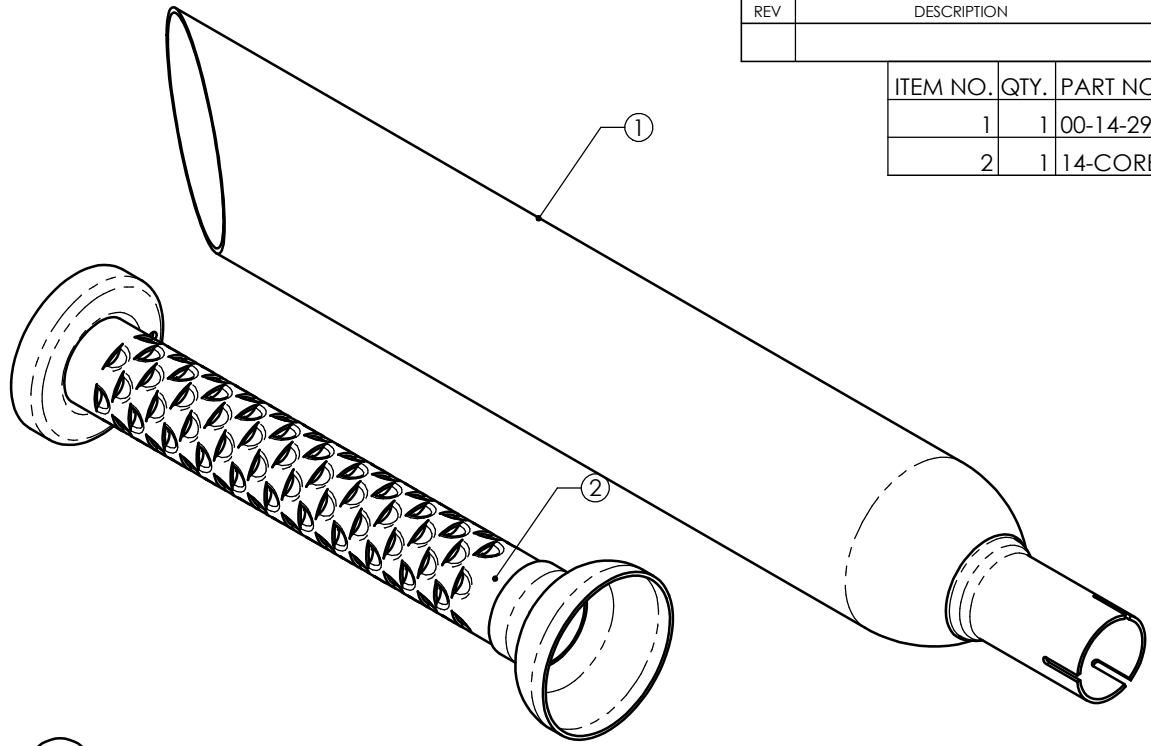


CUSTOMER	CATALOG #	W. O. #	DATE ISSUED	DATE REQ'D	QTY. EA. PER UNIT	W. O. QTY. REQ'D	FINISH	DRAWN BY	DATE	ASSY. #	DRAWING #
JARDINE	14-2910-01				1			R.BLACK	11-19-04		00-14-2910-1

CHK	MATERIAL	CUT LENGTH
APPD	DESCRIPTION TOP MUFFLER W/ CORE ASSEMBLY	
SCALE 1:2	FINISH	REF.
REV	DESCRIPTION	DATE

ITEM NO.	QTY.	PART NO.	DESCRIPTION
1	1	00-14-2910-2	TOP MUFFLER BODY ASSY.
2	1	14-CORE1	CORE ASSY.



OPERATIONS	
1	CLEAN
2	RIVET
3	
4	
5	
6	
7	
8	