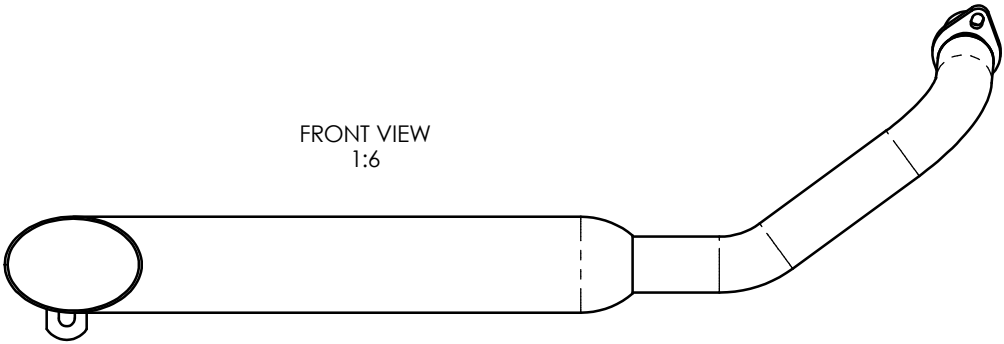
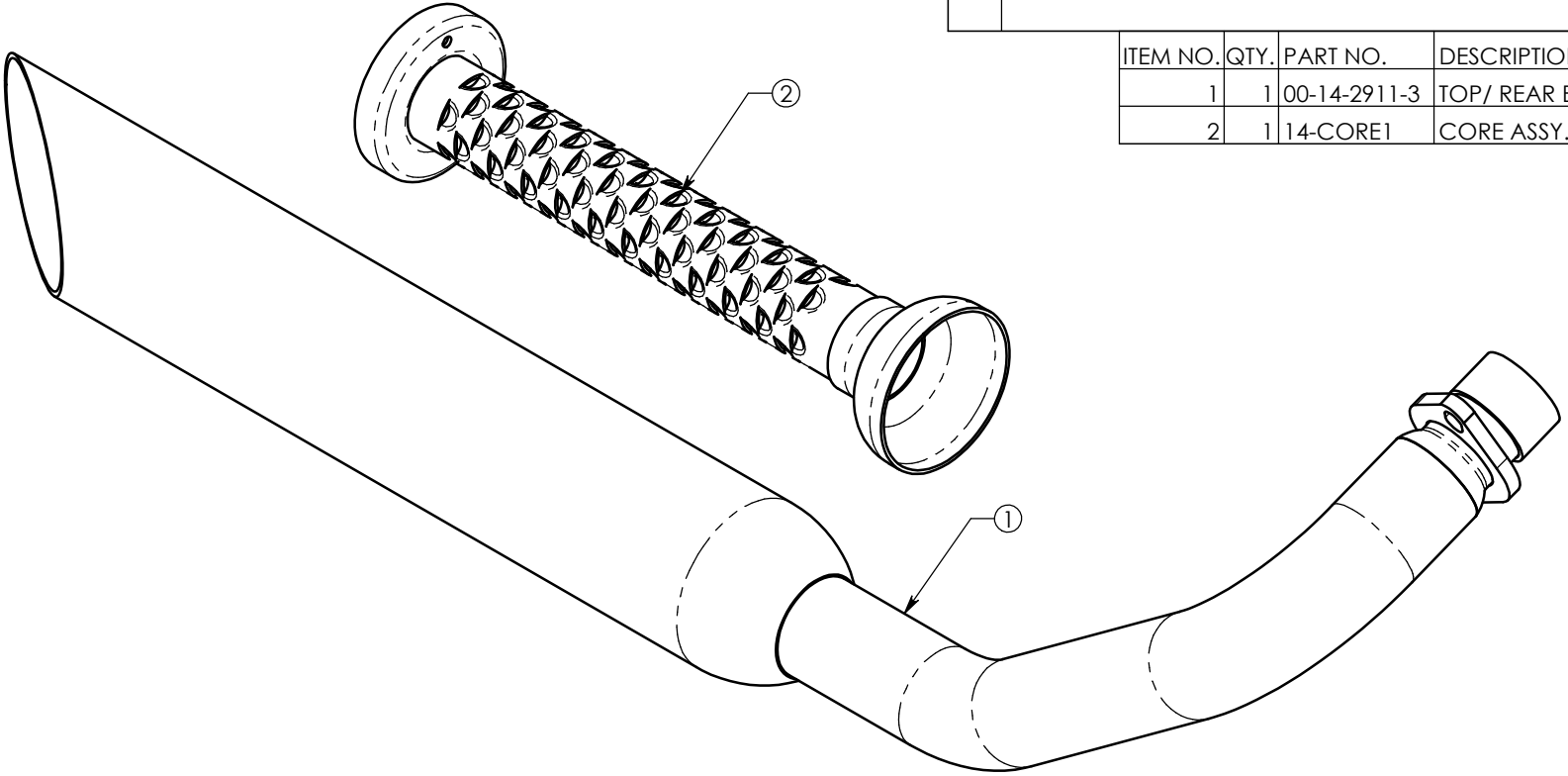


CUSTOMER	CATALOG #	W. O. #	DATE ISSUED	DATE REQ'D	QTY. EA. PER UNIT	W. O. QTY. REQ'D	FINISH	DRAWN BY	DATE	ASSY. #	DRAWING #
JARDINE	14-2911-01S				1			R.BLACK	10-14-04		00-14-2911-1

CHK	MATERIAL	CUT LENGTH
APPD	DESCRIPTION	
SCALE	FINISH	REF.
1:3		
REV	DESCRIPTION	DATE

ITEM NO.	QTY.	PART NO.	DESCRIPTION
1	1	00-14-2911-3	TOP/ REAR EXHAUST ASSY.
2	1	14-CORE1	CORE ASSY.



OPERATIONS	
1	RIVET
2	
3	
4	
5	
6	
7	
8	