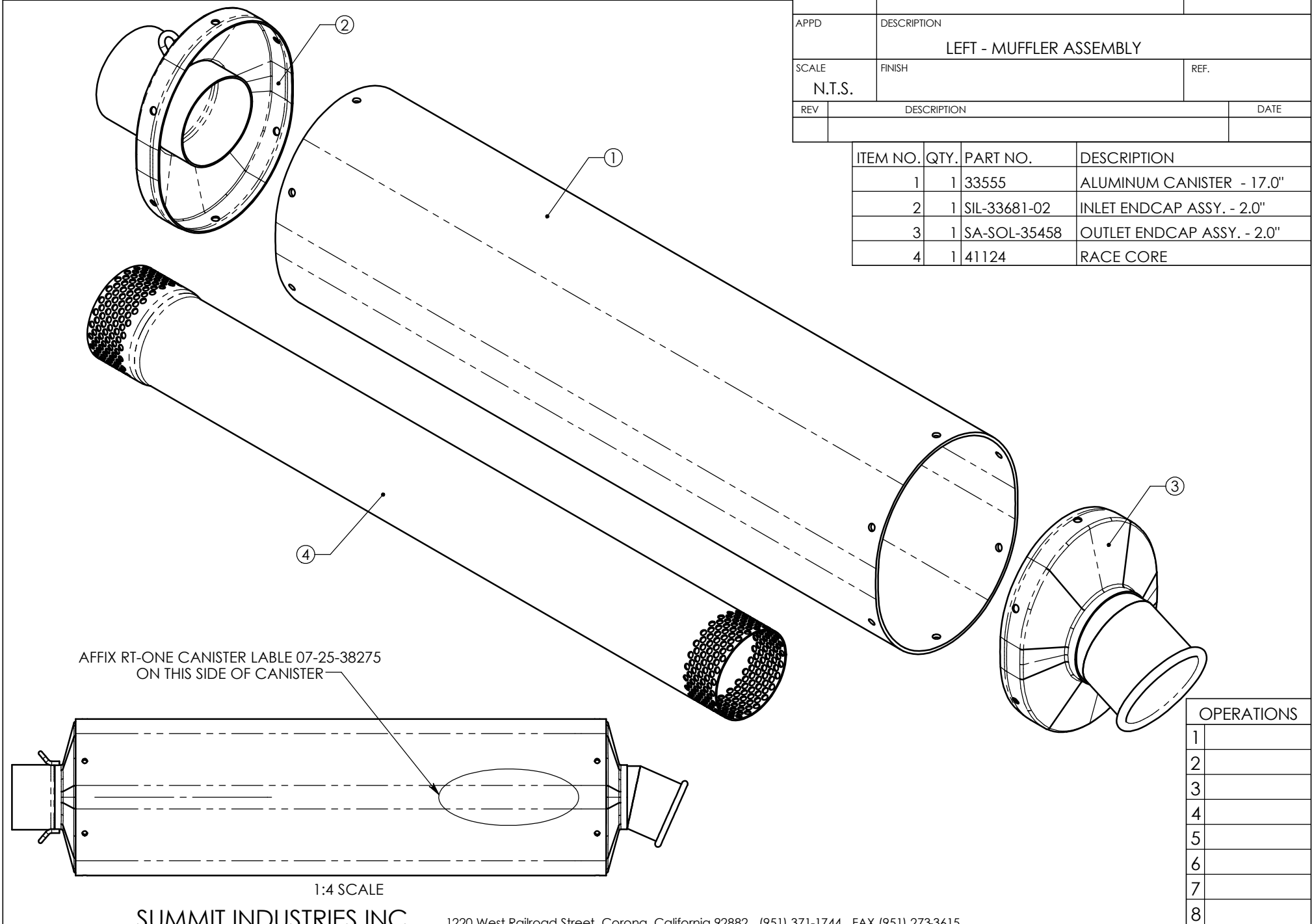


CUSTOMER	CATALOG #	W. O. #	DATE ISSUED	DATE REQ'D	QTY. EA. PER UNIT	W. O. QTY. REQ'D	FINISH	DRAWN BY	DATE	ASSY. #	DRAWING #
JARDINE	18-1009-123-02				1			R.BLACK	07-07-05		00-18-1009-6
CHK								MATERIAL		CUT LENGTH	
APPD								DESCRIPTION			
								LEFT - MUFFLER ASSEMBLY			
SCALE								FINISH		REF.	
N.T.S.											
REV		DESCRIPTION						DATE			

ITEM NO.	QTY.	PART NO.	DESCRIPTION
1	1	33555	ALUMINUM CANISTER - 17.0"
2	1	SIL-33681-02	INLET ENDCAP ASSY. - 2.0"
3	1	SA-SOL-35458	OUTLET ENDCAP ASSY. - 2.0"
4	1	41124	RACE CORE



OPERATIONS	
1	
2	
3	
4	
5	
6	
7	
8	

SUMMIT INDUSTRIES INC.

1220 West Railroad Street Corona, California 92882 (951) 371-1744 FAX (951) 273-3615