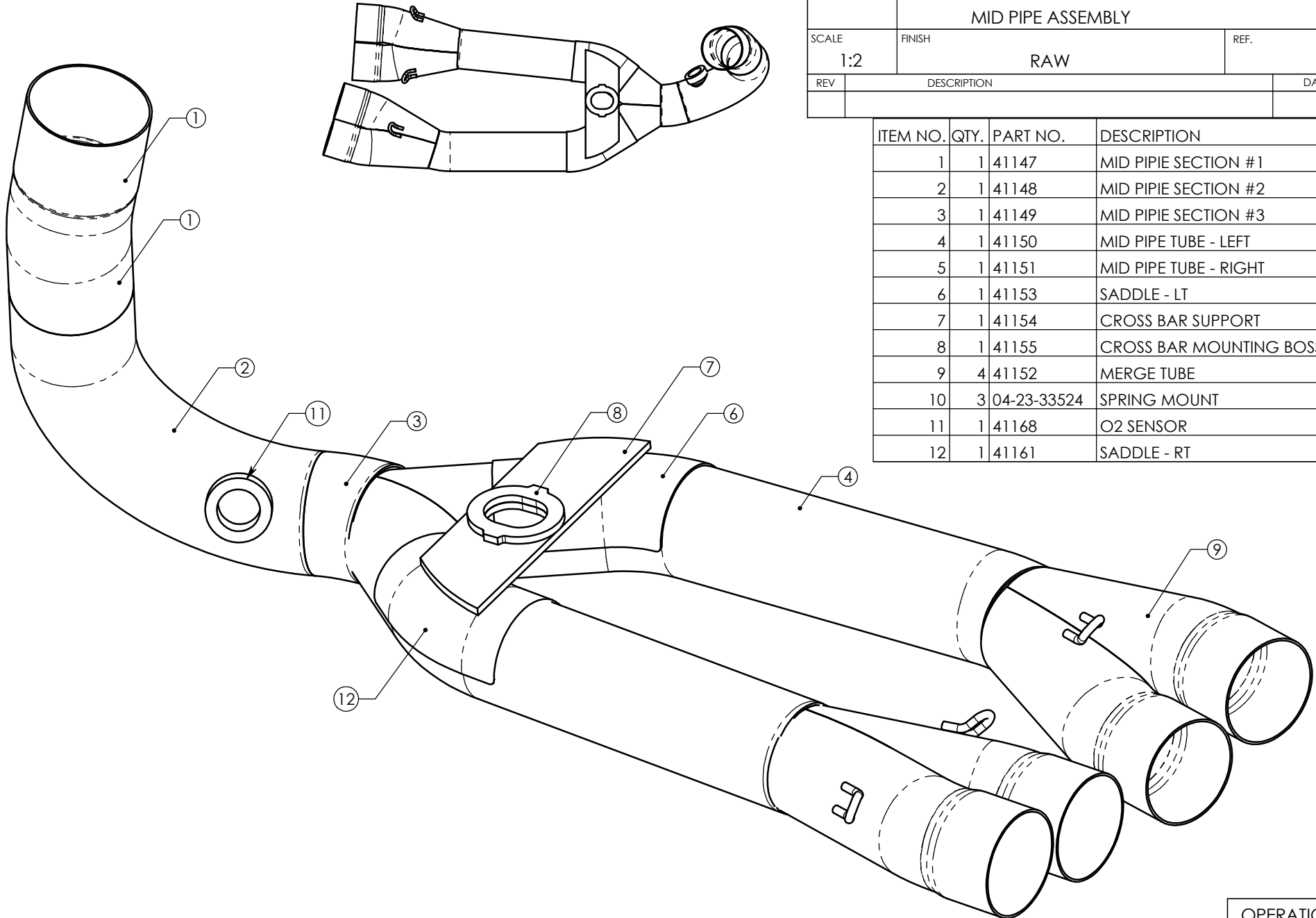


CUSTOMER	CATALOG #	W. O. #	DATE ISSUED	DATE REQ'D	QTY. EA. PER UNIT	W. O. QTY. REQ'D	FINISH
JARDINE	18-1520-433-00				1		RAW

DRAWN BY	DATE	ASSY. #	DRAWING #
R.BLACK	06-28-05		00-18-1520-1
CHK	MATERIAL	CUT LENGTH	
APPD	DESCRIPTION		
	MID PIPE ASSEMBLY		
SCALE	FINISH	REF.	
1:2	RAW		
REV	DESCRIPTION		DATE



ITEM NO.	QTY.	PART NO.	DESCRIPTION
1	1	41147	MID PIPE SECTION #1
2	1	41148	MID PIPE SECTION #2
3	1	41149	MID PIPE SECTION #3
4	1	41150	MID PIPE TUBE - LEFT
5	1	41151	MID PIPE TUBE - RIGHT
6	1	41153	SADDLE - LT
7	1	41154	CROSS BAR SUPPORT
8	1	41155	CROSS BAR MOUNTING BOSS
9	4	41152	MERGE TUBE
10	3	04-23-33524	SPRING MOUNT
11	1	41168	O2 SENSOR
12	1	41161	SADDLE - RT