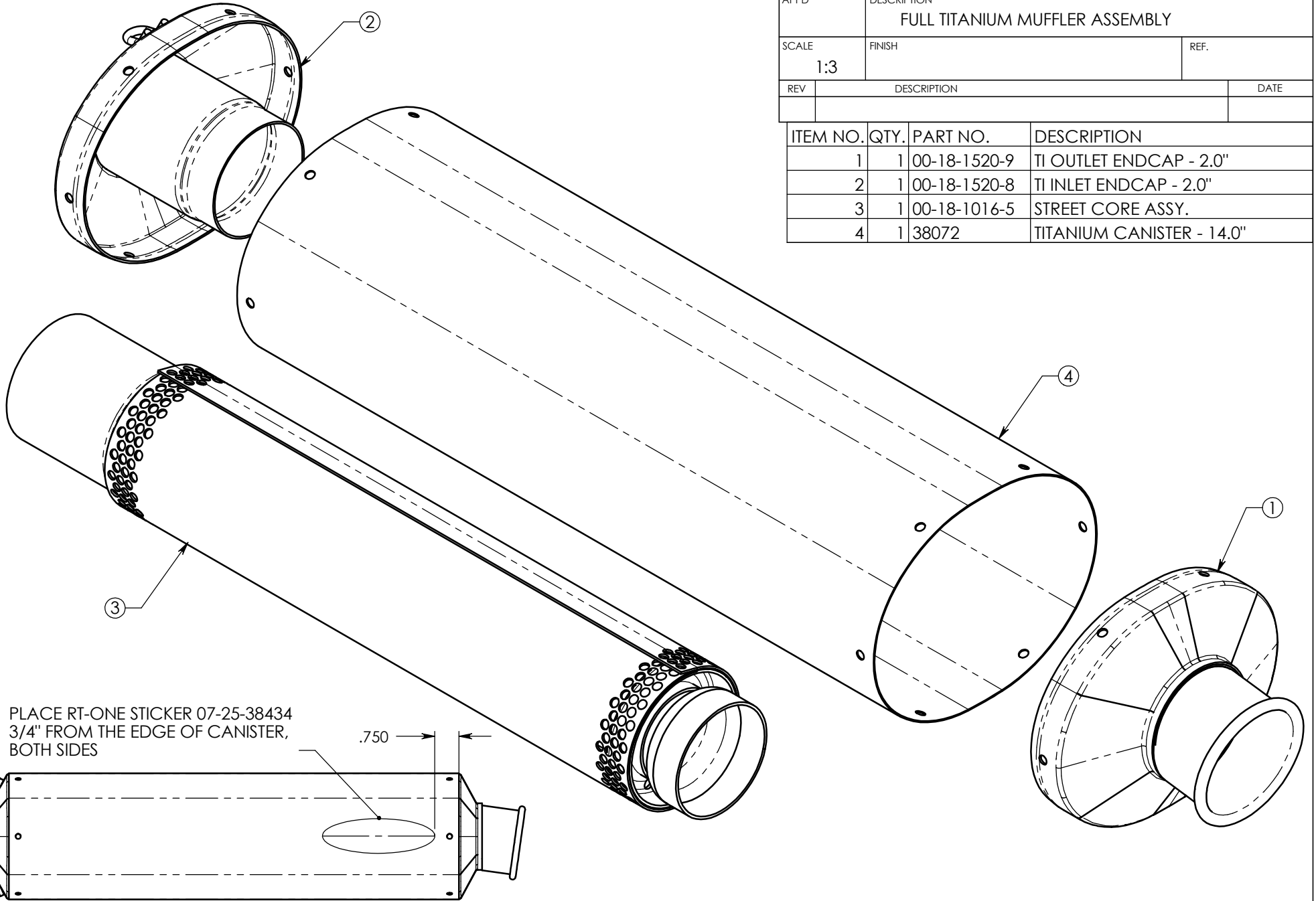


CUSTOMER	CATALOG #	W. O. #	DATE ISSUED	DATE REQ'D	QTY. EA. PER UNIT	W. O. QTY. REQ'D	FINISH	DRAWN BY	DATE	ASSY. #	DRAWING #
JARDINE	18-1520-433-00				1			R. BLACK	11-21-02		00-18-1520-3

CHK	MATERIAL	CUT LENGTH
APPD	DESCRIPTION FULL TITANIUM MUFFLER ASSEMBLY	
SCALE 1:3	FINISH	REF.
REV	DESCRIPTION	DATE

ITEM NO.	QTY.	PART NO.	DESCRIPTION
1	1	00-18-1520-9	TI OUTLET ENDCAP - 2.0"
2	1	00-18-1520-8	TI INLET ENDCAP - 2.0"
3	1	00-18-1016-5	STREET CORE ASSY.
4	1	38072	TITANIUM CANISTER - 14.0"



PLACE RT-ONE STICKER 07-25-38434
3/4" FROM THE EDGE OF CANISTER,
BOTH SIDES

.750