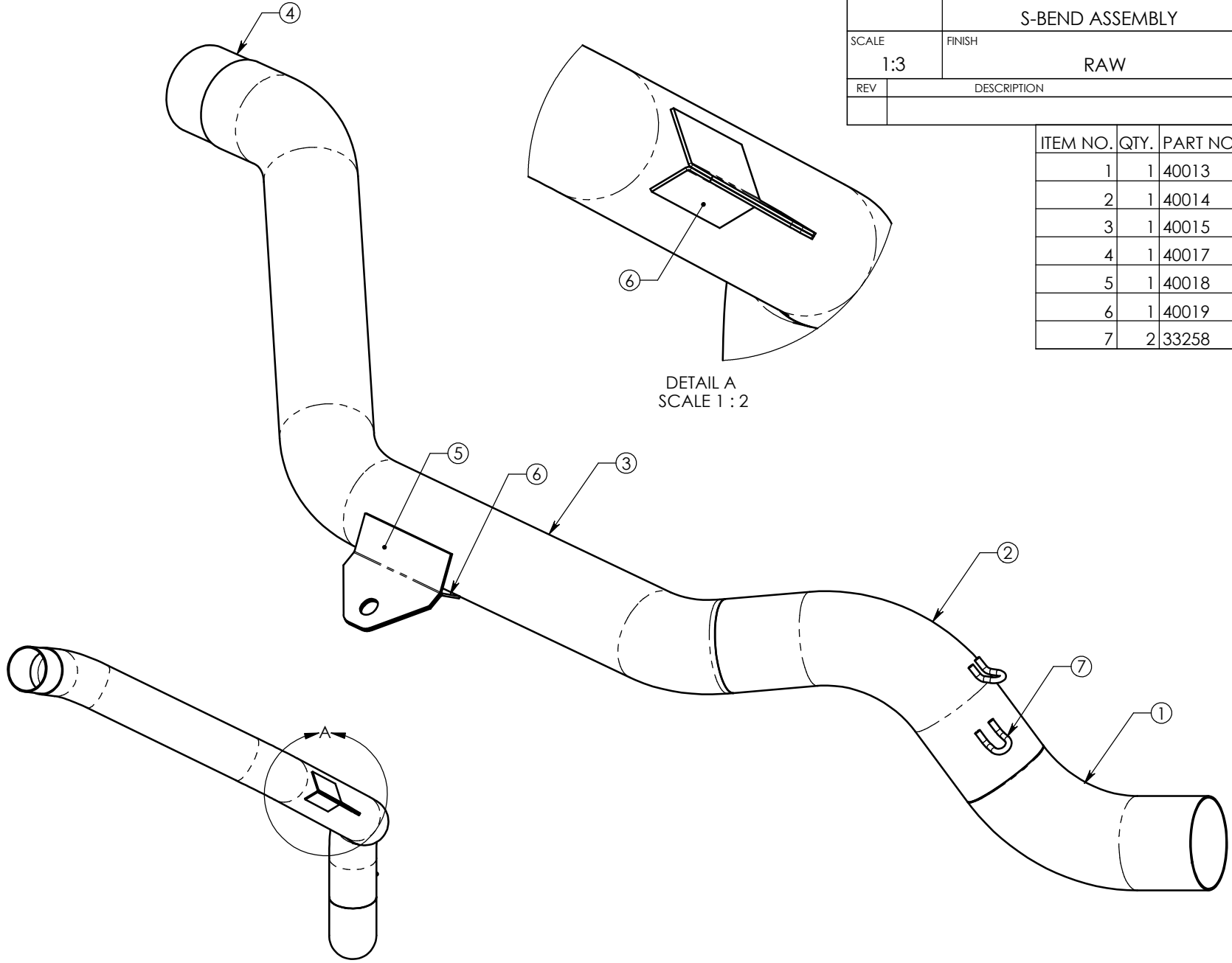


CUSTOMER	CATALOG #	W. O. #	DATE ISSUED	DATE REQ'D	QTY. EA. PER UNIT	W. O. QTY. REQ'D	FINISH	DRAWN BY	DATE	ASSY. #	DRAWING #	
JARDINE	18-3012-123-02				1		RAW	R.BLACK	12-07-04		00-18-3012-1	
								CHK	MATERIAL	CUT LENGTH		
								APPD	DESCRIPTION			
								S-BEND ASSEMBLY				
								SCALE	FINISH	REF.		
								1:3	RAW			
								REV	DESCRIPTION	DATE		



ITEM NO.	QTY.	PART NO.	DESCRIPTION
1	1	40013	S-BEND SECTION #1
2	1	40014	S-BEND SECTION #2
3	1	40015	S-BEND SECTION #3
4	1	40017	S-BEND INLET TUBE
5	1	40018	S-BEND BRACKET #1
6	1	40019	S-BEND BRACKET #2
7	2	33258	SPRING MOUNT

OPERATIONS	
1	WELD
2	
3	
4	
5	
6	
7	
8	