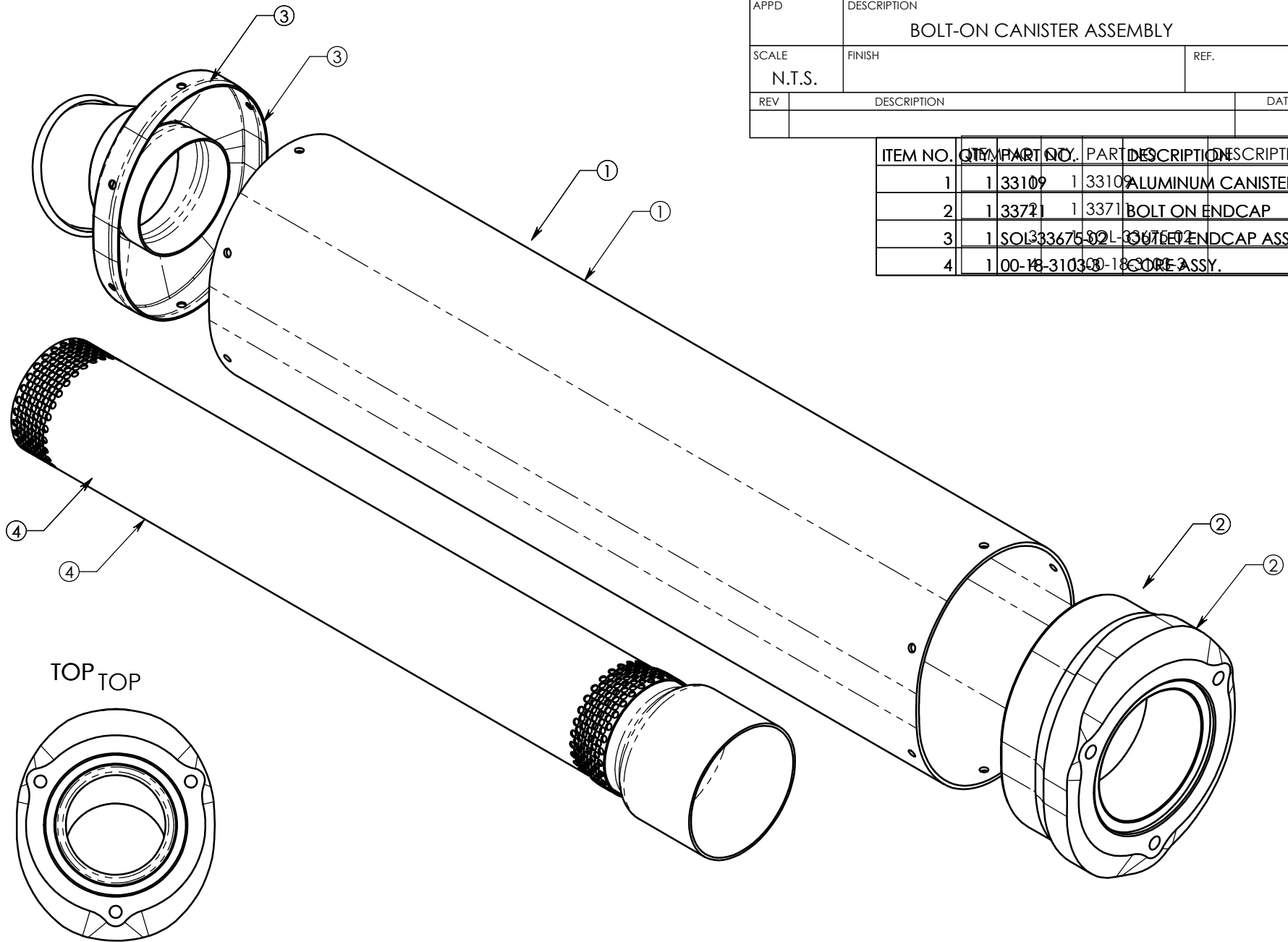


CUSTOMER	CATALOG #	W. O. #	DATE ISSUED	DATE REQ'D	QTY. EA. PER UNIT	W. O. QTY. REQ'D	FINISH	DRAWN BY	DATE	ASSY. #	DRAWING #	
JARDINE	18-3103-143-02				1			R.BLACK	07-29-04		00-18-3103-2	
								CHK	MATERIAL	CUT LENGTH		
								APPD	DESCRIPTION			
								BOLT-ON CANISTER ASSEMBLY				
								SCALE	FINISH	REF.		
								N.T.S.				
								REV	DESCRIPTION	DATE		



ITEM NO.	QTY.	PART NO.	PART NO.	DESCRIPTION	DESCRIPTION
1	1	33109	1 33109	ALUMINUM CANISTER	
2	1	33721	1 33721	BOLT ON ENDCAP	
3	1	SOL333675-02	1 SOL333675-02	BOLT ON ENDCAP ASSY.	
4	1	00-18-3103-143-02	1 00-18-3103-143-02	FILTER ASSY.	