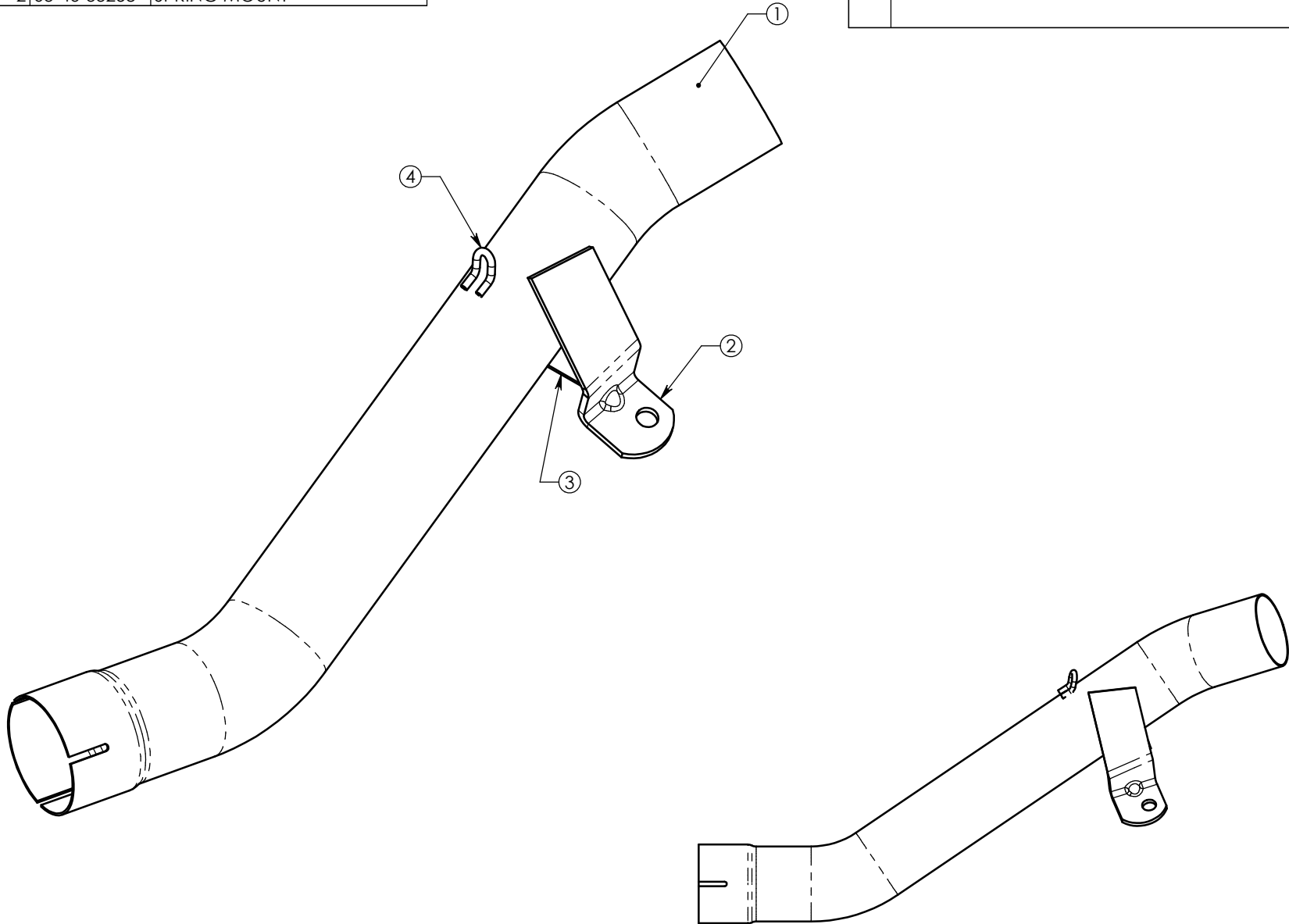


CUSTOMER	CATALOG #	W. O. #	DATE ISSUED	DATE REQ'D	QTY. EA. PER UNIT	W. O. QTY. REQ'D	FINISH	DRAWN BY	DATE	ASSY. #	DRAWING #
JARDINE	18-4615-123-02				1		RAW	R.BLACK	11-28-05		00-18-4615-2
ITEM NO.	QTY.	PART NO.	DESCRIPTION								
1	1	41659	S-BEND TUBE								
2	1	30101	SKICK STAND STOP								
3	1	30102	KICK STAND STOP SUPPORT								
4	2	03-46-33258	SPRING MOUNT								
CHK	MATERIAL		CUT LENGTH								
APPD	DESCRIPTION										
S-BEND ASSEMBLY											
SCALE	FINISH		REF.								
N.T.S.	RAW										
REV	DESCRIPTION										DATE



OPERATIONS	
1	WELDING
2	
3	
4	
5	
6	
7	
8	