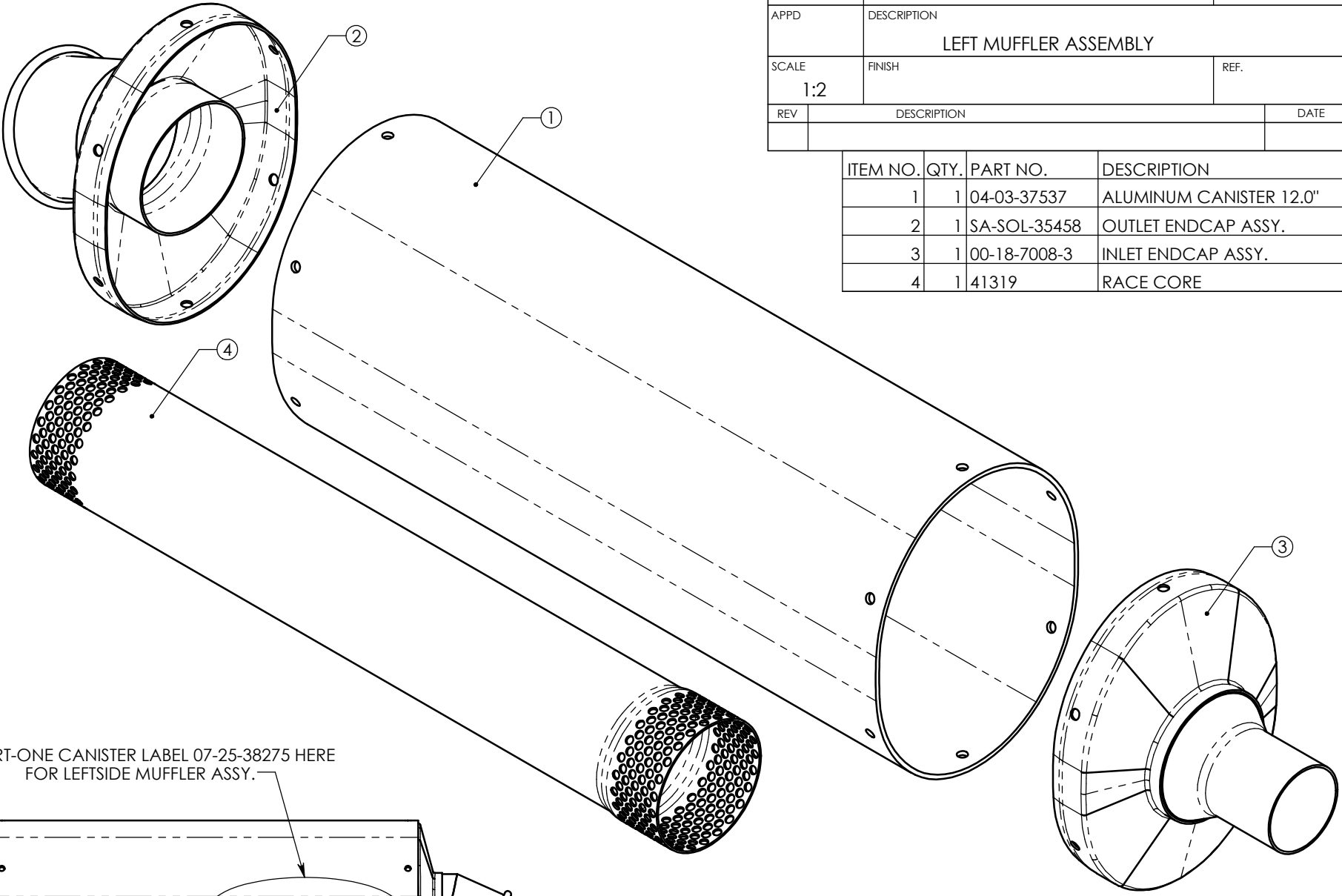


CUSTOMER	CATALOG #	W. O. #	DATE ISSUED	DATE REQ'D	QTY. EA. PER UNIT	W. O. QTY. REQ'D	FINISH	DRAWN BY	DATE	ASSY. #	DRAWING #
JARDINE	18-7008-123-02				1			R.BLACK	08-22-05		00-18-7008-2

CHK	MATERIAL	CUT LENGTH
APPD	DESCRIPTION LEFT MUFFLER ASSEMBLY	
SCALE 1:2	FINISH	REF.
REV	DESCRIPTION	DATE

ITEM NO.	QTY.	PART NO.	DESCRIPTION
1	1	04-03-37537	ALUMINUM CANISTER 12.0"
2	1	SA-SOL-35458	OUTLET ENDCAP ASSY.
3	1	00-18-7008-3	INLET ENDCAP ASSY.
4	1	41319	RACE CORE



AFFIX RT-ONE CANISTER LABEL 07-25-38275 HERE FOR LEFTSIDE MUFFLER ASSY.

