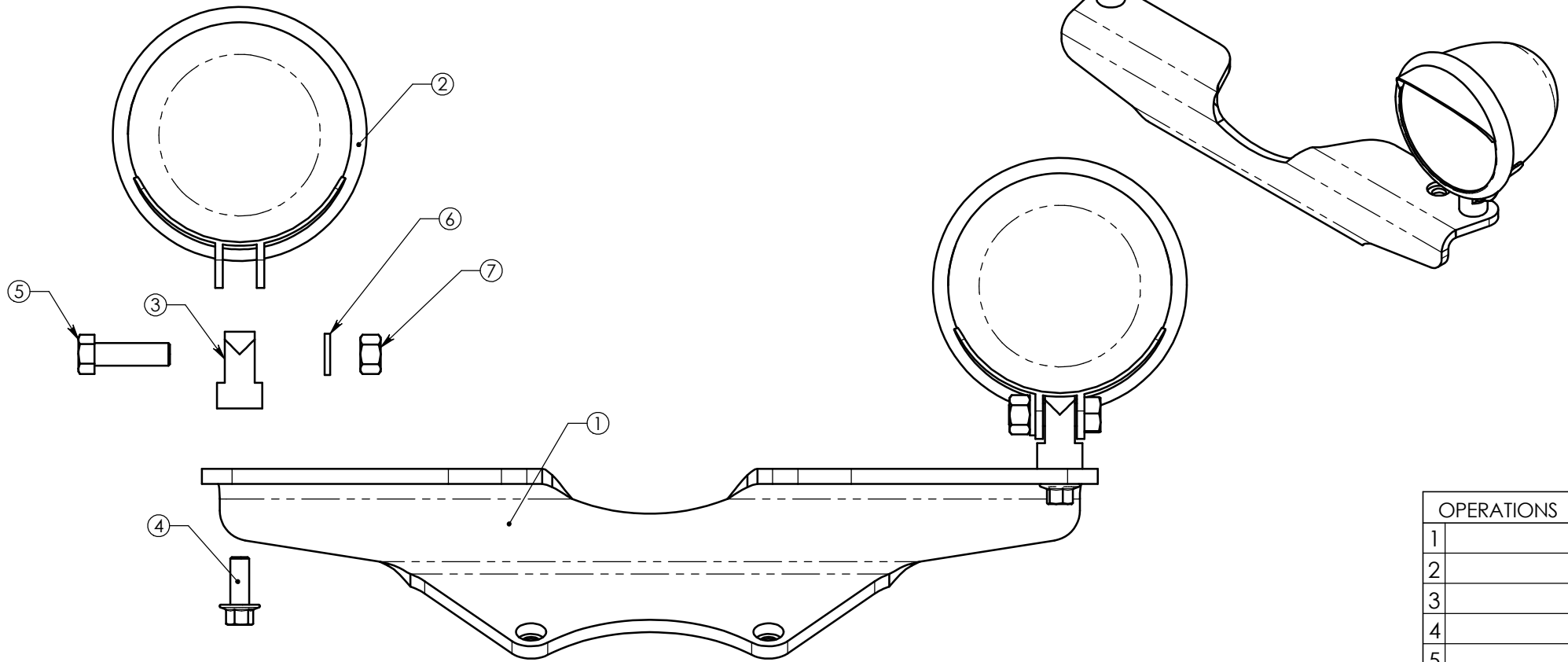


CUSTOMER	CATALOG #	W. O. #	DATE ISSUED	DATE REQ'D	QTY. EA. PER UNIT	W. O. QTY. REQ'D	FINISH	DRAWN BY	DATE	ASSY. #	DRAWING #
JARDINE	59-1105-01				1			R.BLACK	11-21-05		00-59-1105-1
ITEM NO.	QTY.	PART NO.	DESCRIPTION								
1	1	41656	LIGHT BAR BODY								
2	2	37602	SPOT LIGHT W/O INDICATOR								
3	2	32913	SPOT LIGHT MOUNT								
4	2	01-530812520-27	HEX FLANGED CAP SCREW, M8-1.25 X 20mm								
5	2	01-10062410-27	HEX HEAD CAP SCREW, 3/8-24 X 1-1/4"								
6	2	01-7910-27	LOCK WASHER, 10mm								
7	2	01-310624-27	HEX NUT, 3/8-24								
CHK	MATERIAL										CUT LENGTH
APPD	DESCRIPTION										
											LIGHT BAR ASSEMBLY
SCALE	FINISH										REF.
											N.T.S.
REV	DESCRIPTION										DATE



OPERATIONS	
1	
2	
3	
4	
5	
6	
7	
8	