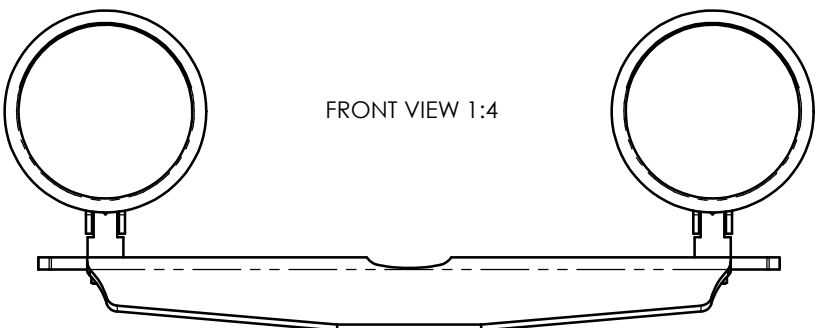
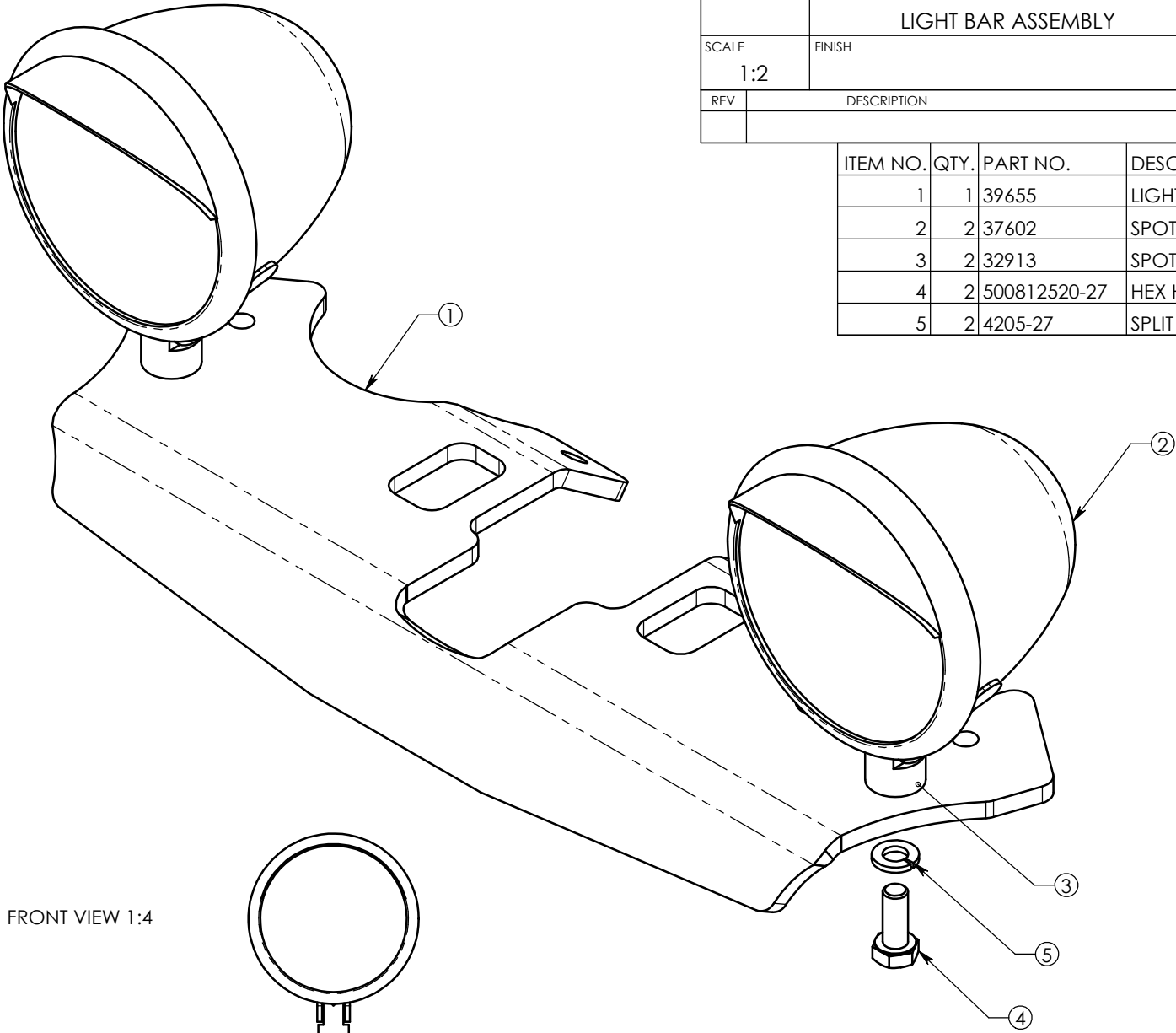


CUSTOMER	CATALOG #	W. O. #	DATE ISSUED	DATE REQ'D	QTY. EA. PER UNIT	W. O. QTY. REQ'D	FINISH	DRAWN BY	DATE	ASSY. #	DRAWING #
JARDINE	59-1111-01				1			R.BLACK	06-28-04		00-59-1111-1

CHK	MATERIAL	CUT LENGTH
APPD	DESCRIPTION	
	LIGHT BAR ASSEMBLY	
SCALE	FINISH	REF.
1:2		
REV	DESCRIPTION	DATE

ITEM NO.	QTY.	PART NO.	DESCRIPTION
1	1	39655	LIGHT BAR BODY
2	2	37602	SPOTLIGHT
3	2	32913	SPOTLIGHT MOUNT
4	2	500812520-27	HEX HEAD CAP SCREW
5	2	4205-27	SPLIT LOCK WASHER



OPERATIONS	
1	ASSEMBLE
2	
3	
4	
5	
6	
7	
8	