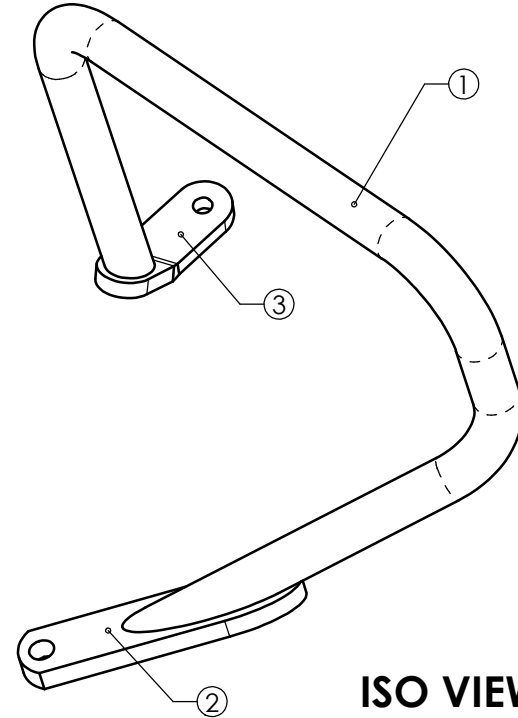
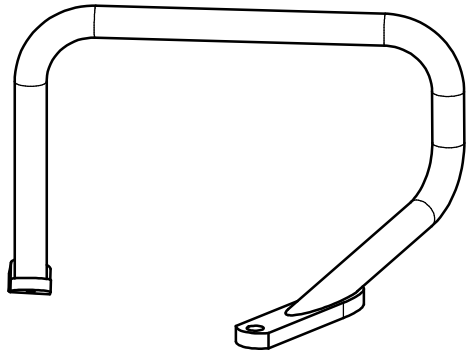
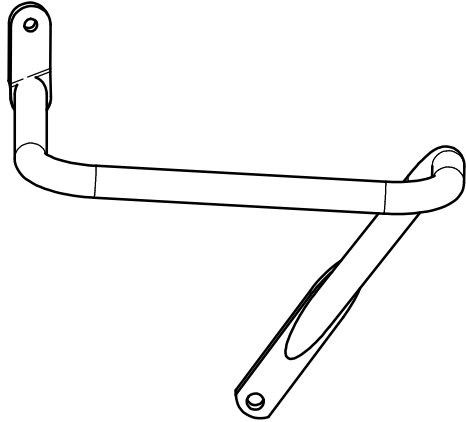


CUSTOMER	CATALOG #	W. O. #	DATE ISSUED	DATE REQ'D	QTY. EA. PER UNIT	W. O. QTY. REQ'D	FINISH	DRAWN BY	DATE	ASSY. #	DRAWING #	
JARDINE	10-5007-01				1		CHROME	R. BLACK	8-27-02		10-5007-2	
								CHK	MATERIAL	CUT LENGTH		
								APPD	DESCRIPTION LEFT LOOP ASSY.			
								SCALE 1:6	FINISH CHROME	REF.		
								REV 1	DESCRIPTION RE-DRAWN IN SOLID WORKS	DATE 08-27-02		

ITEM NO.	QTY.	PART NO.	DESCRIPTION
1	1	38401	LEFT LOOP
2	1	120025	LEFT MOUNTING TAB
3	1	120024	TAB



**ISO VIEW 1:4**