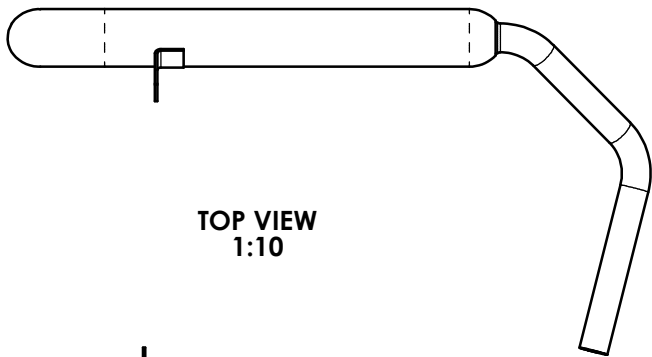
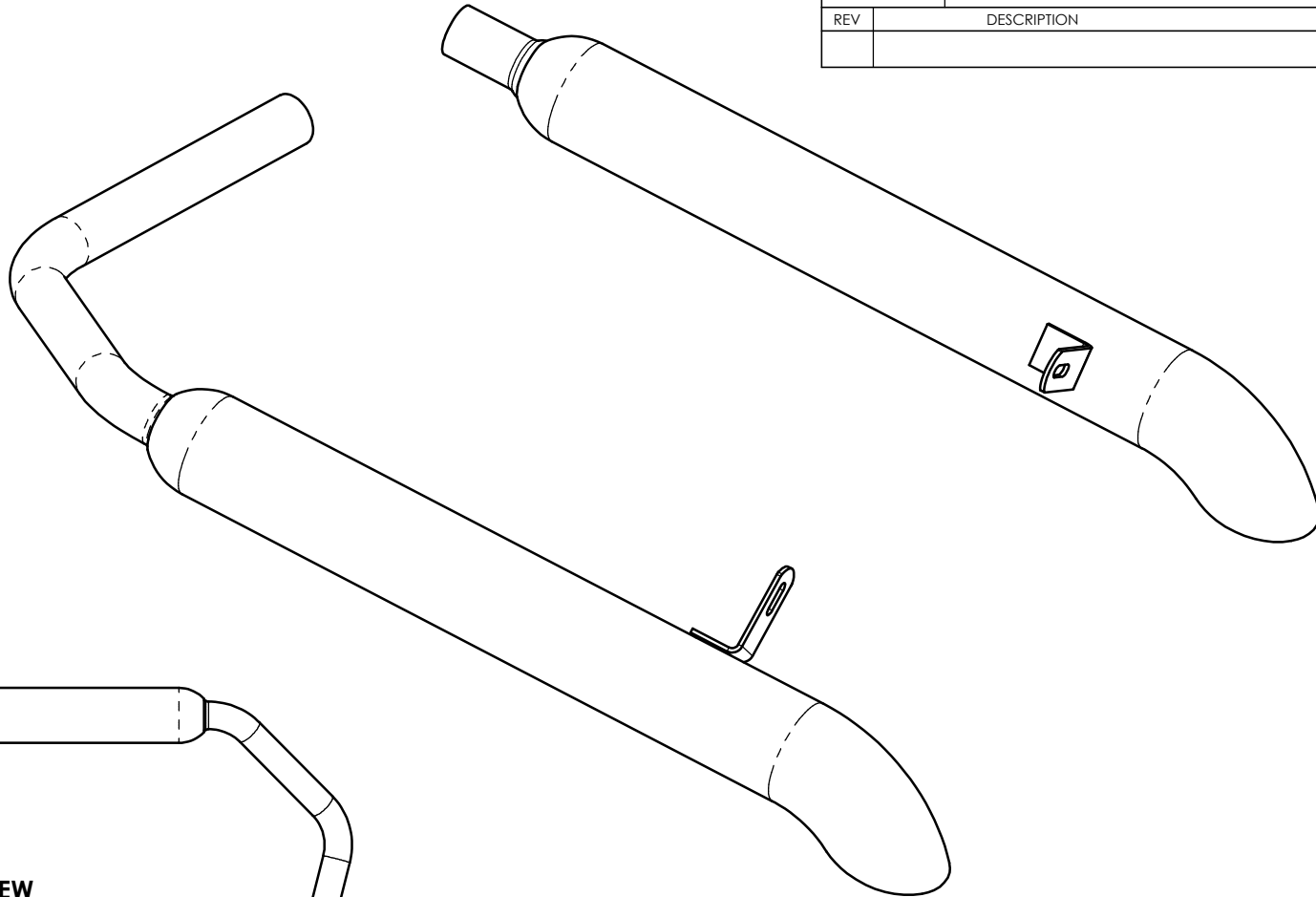


CUSTOMER	CATALOG #	W. O. #	DATE ISSUED	DATE REQ'D	QTY. EA. PER UNIT	W. O. QTY. REQ'D	FINISH	DRAWN BY	DATE	ASSY. #	DRAWING #
JARDINE	14-1312-01				1			R.BLACK	01-06-04		ASSEMBLY
								CHK	MATERIAL	CUT LENGTH	
								APPD	DESCRIPTION		
								SLIP-ON TURN DOWN EXHAUST ASSEMBLY			
								SCALE	FINISH	REF.	
								1:5			
								REV	DESCRIPTION	DATE	



TOP VIEW
1:10

