

| | | | | | | | | | | | |
|----------|-------------|---------|-------------|------------|-------------------|------------------|--------|----------|----------|---------|------------|
| CUSTOMER | CATALOG # | W. O. # | DATE ISSUED | DATE REQ'D | QTY. EA. PER UNIT | W. O. QTY. REQ'D | FINISH | DRAWN BY | DATE | ASSY. # | DRAWING # |
| JARDINE | 14-2907-01S | | | | 1 | | | R. BLACK | 12-18-02 | | 14-2907-01 |

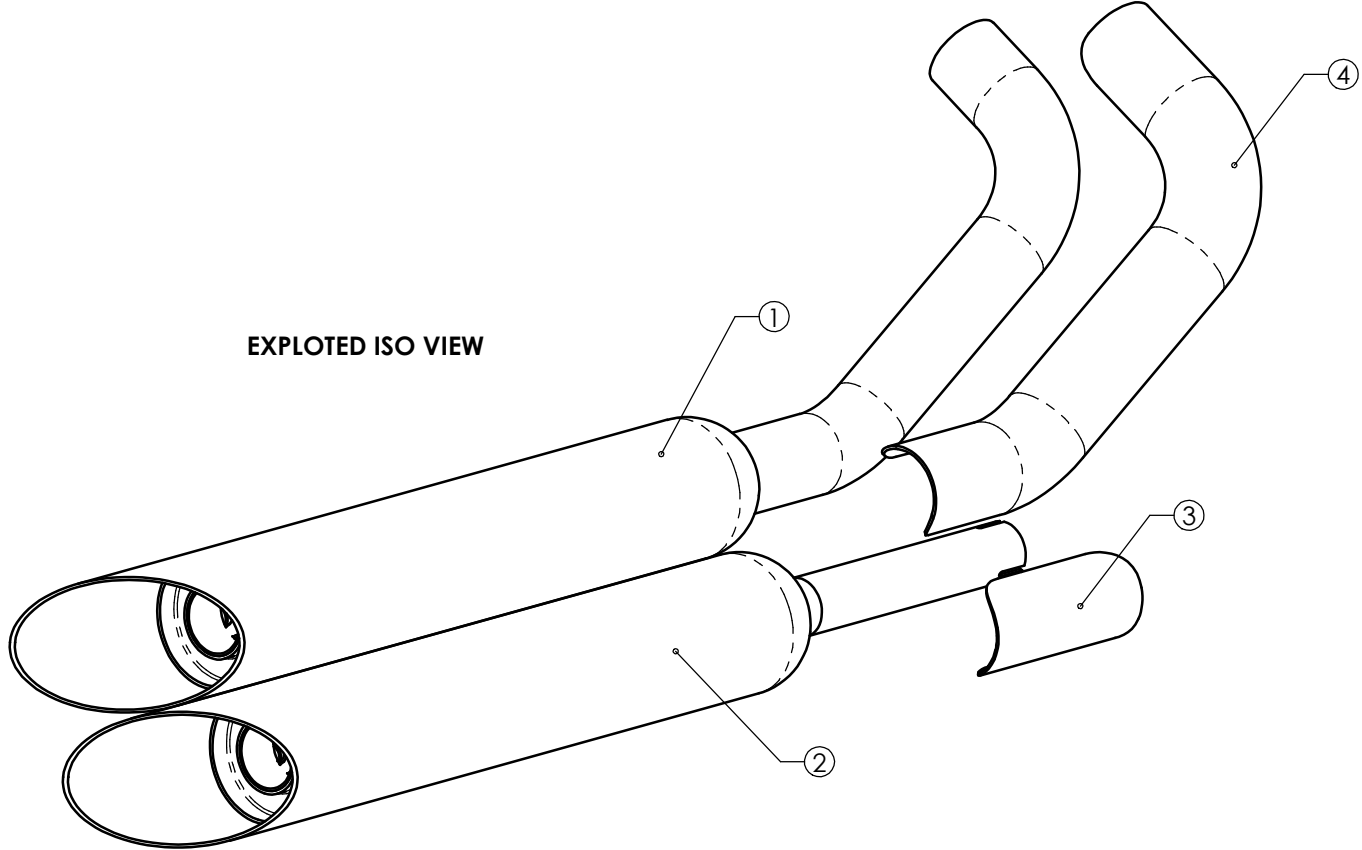
| | | |
|-----|----------|------------|
| CHK | MATERIAL | CUT LENGTH |
|-----|----------|------------|

| | | |
|------|---------------------------|--|
| APPD | DESCRIPTION | |
| | COMPLETE MUFFLER ASSEMBLY | |

| | | |
|-------|--------|------|
| SCALE | FINISH | REF. |
| 1:1 | | |

| | | |
|-----|-------------------------|----------|
| REV | DESCRIPTION | DATE |
| A | RE-DRAWN IN SOLID WORKS | 12-18-02 |

| ITEM NO. | QTY. | PART NO. | DESCRIPTION |
|----------|------|-----------|--------------------------|
| 1 | 1 | 14-2907-3 | TOP MUFFLER ASSY. |
| 2 | 1 | 14-2907-2 | BOTTOM MUFFLER ASSY. |
| 3 | 1 | 14-2907-4 | BOTTOM HEAT SHIELD ASSY. |
| 4 | 1 | 14-2907-5 | TOP HEAT SHIELD ASSY. |



EXPLODED ISO VIEW