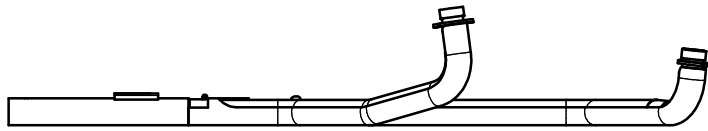
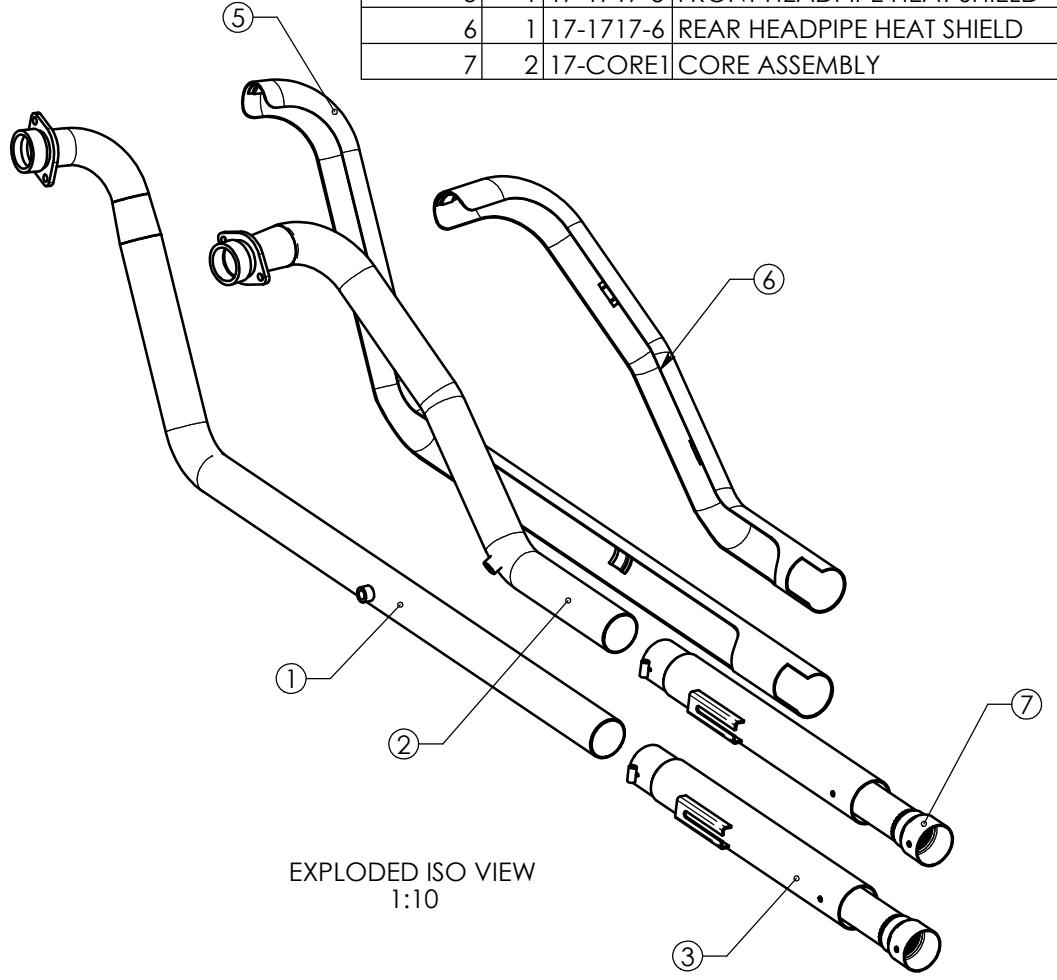
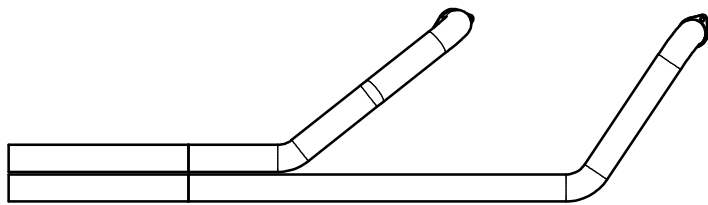


CUSTOMER	CATALOG #	W. O. #	DATE ISSUED	DATE REQ'D	QTY. EA. PER UNIT	W. O. QTY. REQ'D	FINISH	DRAWN BY	DATE	ASSY. #	DRAWING #
JARDINE	17-1717-01S				1		CHROME	R. BLACK	10-04-02		17-1717-01S
								CHK	MATERIAL	CUT LENGTH	
								APPD	DESCRIPTION		
								DRAG PIPE EXHAUST ASSEMBLY			
								SCALE	FINISH	REF.	
								1:16	CHROME		
								REV	DESCRIPTION	DATE	



ITEM NO.	QTY.	PART NO.	DESCRIPTION
1	1	17-1717-1	FRONT HEADPIPE
2	1	17-1717-2	REAR HEADPIPE
3	2	17-1718-3	MUFFLER
5	1	17-1717-5	FRONT HEADPIPE HEAT SHIELD
6	1	17-1717-6	REAR HEADPIPE HEAT SHIELD
7	2	17-CORE1	CORE ASSEMBLY



EXPLODED ISO VIEW
1:10