

CUSTOMER	CATALOG #	W. O. #	DATE ISSUED	DATE REQ'D	QTY. EA. PER UNIT	W. O. QTY. REQ'D	FINISH	DRAWN BY	DATE	ASSY. #	DRAWING #
JARDINE	17-2910-01				1			R.BLACK	08-24-04		FULL ASSY

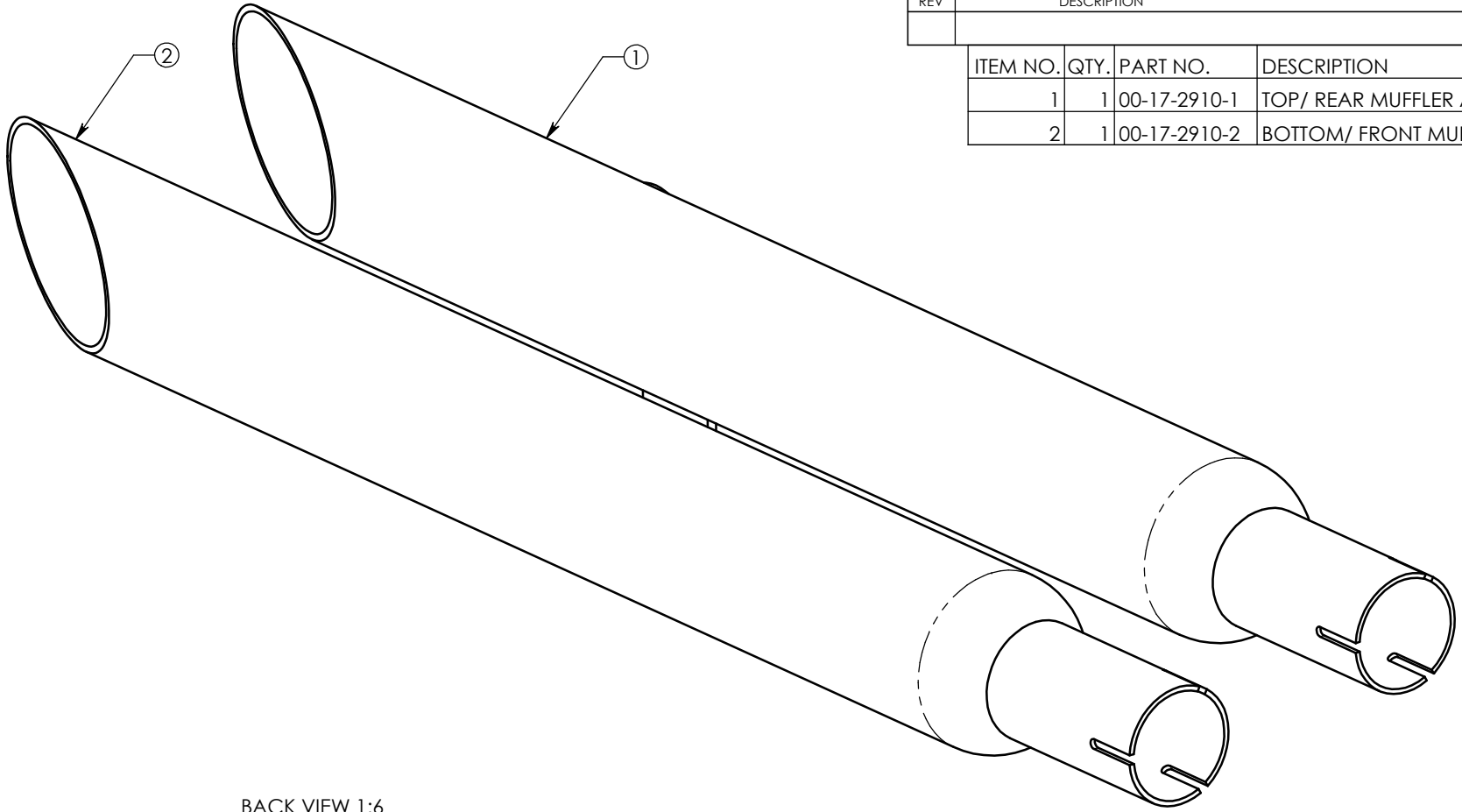
CHK	MATERIAL	CUT LENGTH
-----	----------	------------

APPD	DESCRIPTION	
	COMPLETE SLASH CUT ASSEMBLY	

SCALE	FINISH	REF.
1:2		

REV	DESCRIPTION	DATE

ITEM NO.	QTY.	PART NO.	DESCRIPTION
1	1	00-17-2910-1	TOP/ REAR MUFFLER ASSY.
2	1	00-17-2910-2	BOTTOM/ FRONT MUFFLER ASSY.



BACK VIEW 1:6

