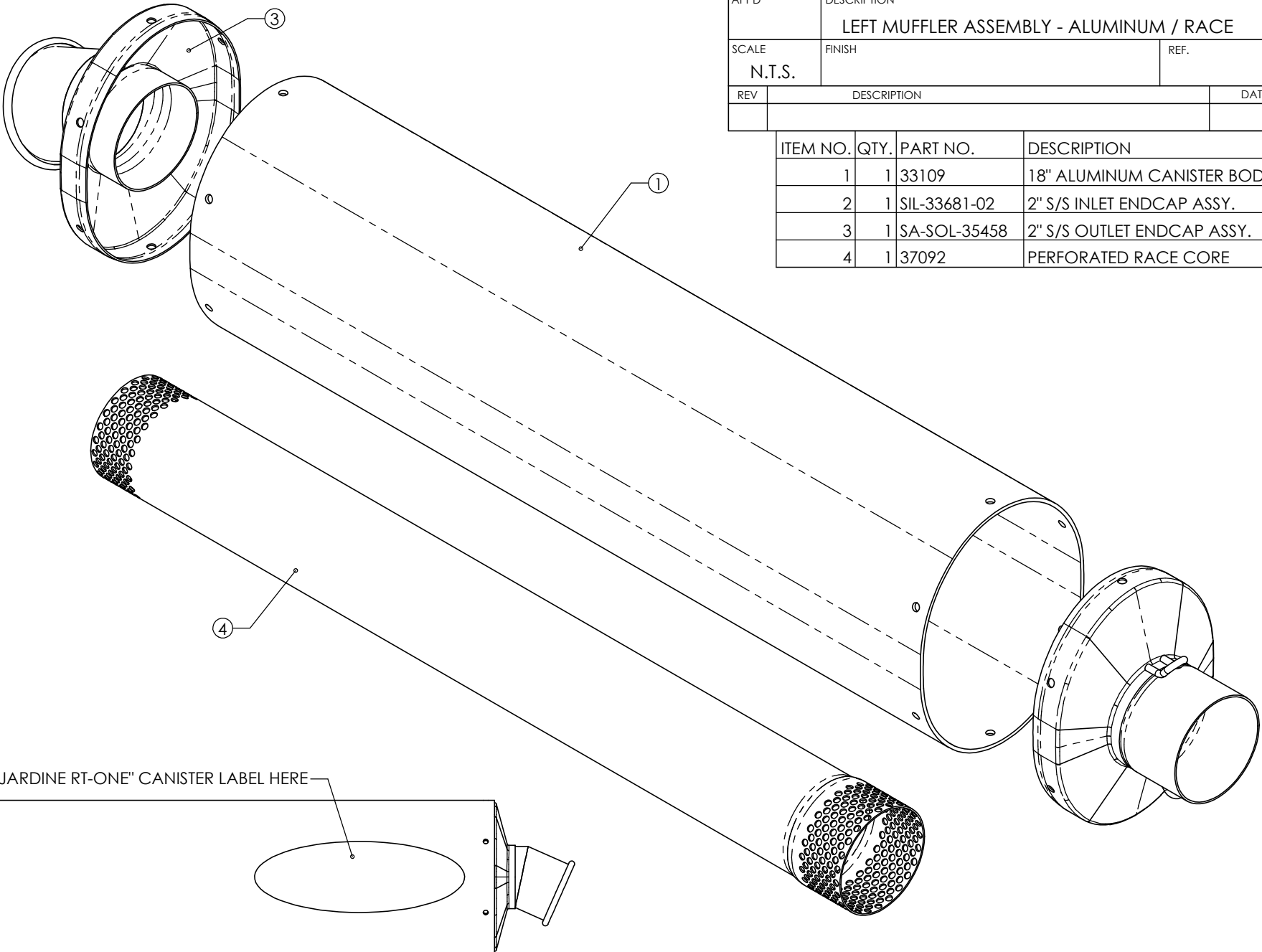


CUSTOMER	CATALOG #	W. O. #	DATE ISSUED	DATE REQ'D	QTY. EA. PER UNIT	W. O. QTY. REQ'D	FINISH	DRAWN BY	DATE	ASSY. #	DRAWING #
JARDINE	18-1012-123-02				1			T. MASTELL	07.23.02		18-1012-5
								CHK	MATERIAL	CUT LENGTH	
								APPD	DESCRIPTION		
								LEFT MUFFLER ASSEMBLY - ALUMINUM / RACE			
								SCALE	FINISH	REF.	
								N.T.S.			
								REV	DESCRIPTION	DATE	

ITEM NO.	QTY.	PART NO.	DESCRIPTION
1	1	33109	18" ALUMINUM CANISTER BODY
2	1	SIL-33681-02	2" S/S INLET ENDCAP ASSY.
3	1	SA-SOL-35458	2" S/S OUTLET ENDCAP ASSY.
4	1	37092	PERFORATED RACE CORE



AFFIX "JARDINE RT-ONE" CANISTER LABEL HERE

