

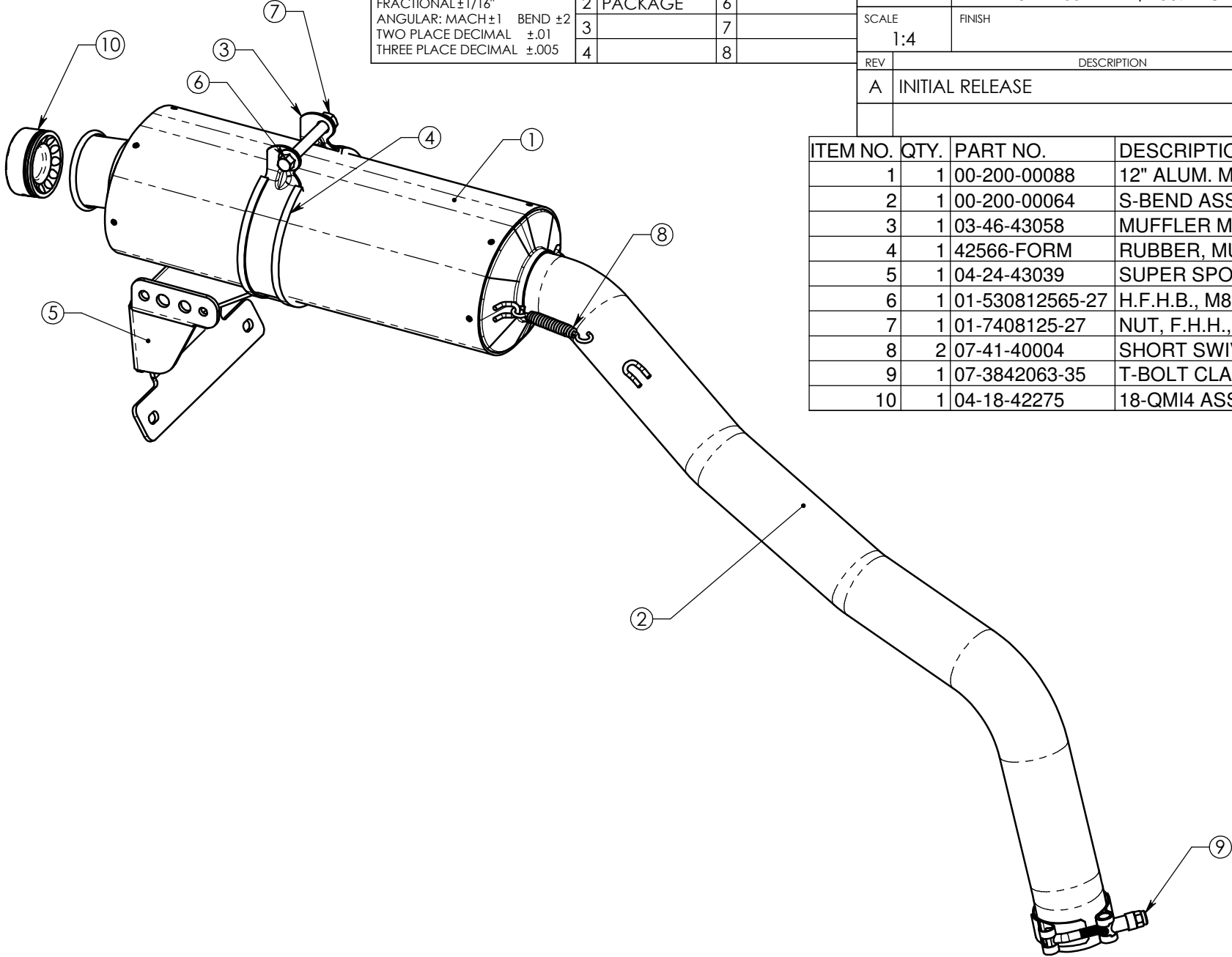
CUSTOMER	CATALOG #	W. O. #	DATE ISSUED	DATE REQD	QTY. EA. PER UNIT	W. O. QTY. REQD	FINISH	DRAWN BY	DATE	ASSY. #	DRAWING #
JARDINE	18-1023-123-02Q				1			C.V.	02.14.07		18-1023-123-02Q
								CHK	MATERIAL	CUT LENGTH	

DIMENSIONS ARE IN INCHES
TOLERANCES:
SURFACE FINISH MAX. $\sqrt{63}$
FRACTIONAL $\pm 1/16"$
ANGULAR: MACH ± 1 BEND ± 2
TWO PLACE DECIMAL $\pm .01$
THREE PLACE DECIMAL $\pm .005$

OPERATIONS	
1 CLEAN	5
2 PACKAGE	6
3	7
4	8

APPD	DESCRIPTION	REF.
	FULL ASSEMBLY, 2007 HONDA CBR600RR	
SCALE	FINISH	
1:4		

REV	DESCRIPTION	DATE
A	INITIAL RELEASE	02.14.07



ITEM NO.	QTY.	PART NO.	DESCRIPTION
1	1	00-200-00088	12" ALUM. MUFFLER ASSEMBLY
2	1	00-200-00064	S-BEND ASSEMBLY
3	1	03-46-43058	MUFFLER MOUNTING CLAMP
4	1	42566-FORM	RUBBER, MUFFLER STRAP
5	1	04-24-43039	SUPER SPORT FENDER
6	1	01-530812565-27	H.F.H.B., M8-1.25x65mm
7	1	01-7408125-27	NUT, F.H.H., M8-1.25
8	2	07-41-40004	SHORT SWIVEL SPRINGS
9	1	07-3842063-35	T-BOLT CLAMP
10	1	04-18-42275	18-QM14 ASSEMBLY