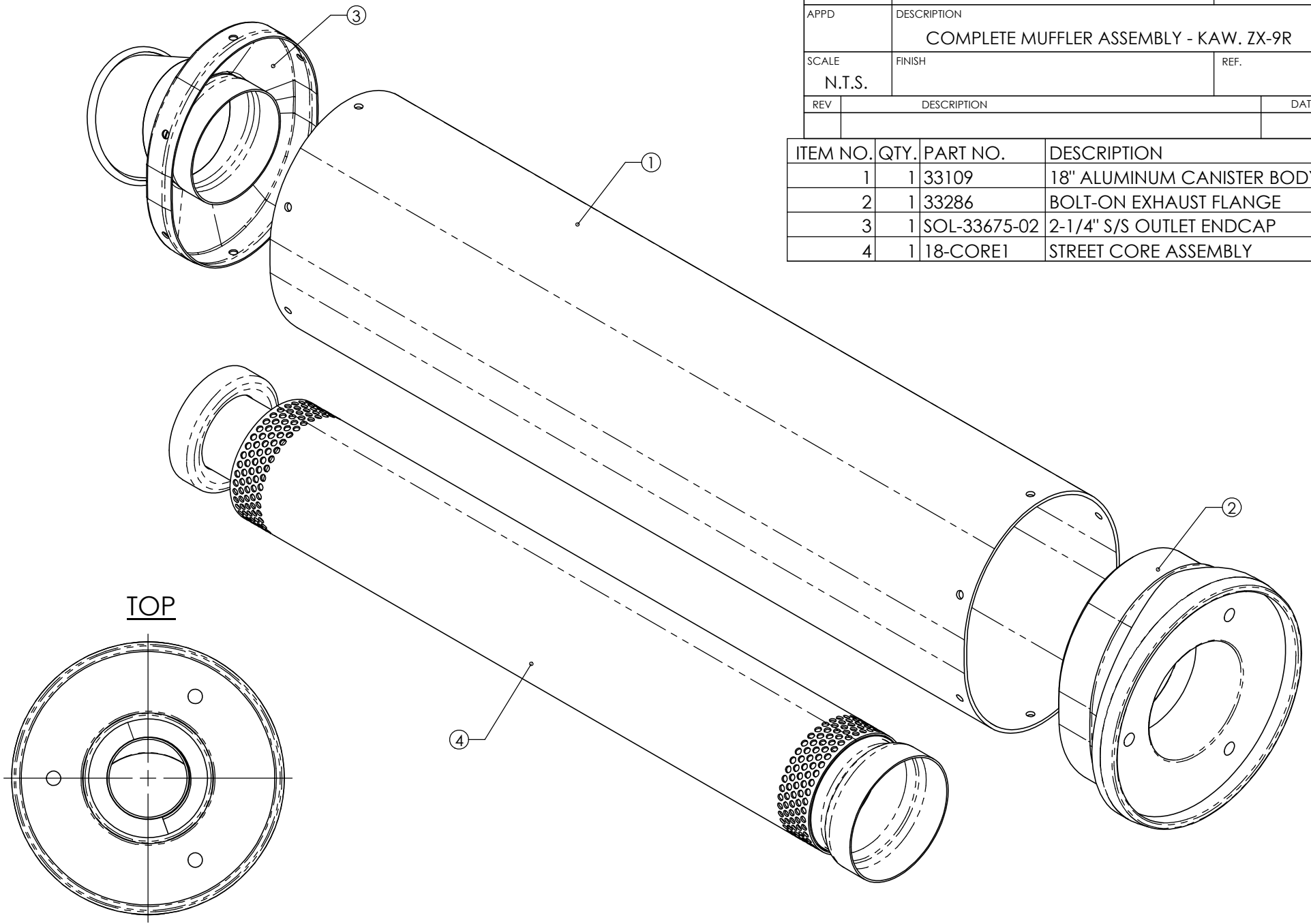


CUSTOMER	CATALOG #	W. O. #	DATE ISSUED	DATE REQ'D	QTY. EA. PER UNIT	W. O. QTY. REQ'D	FINISH	DRAWN BY	DATE	ASSY. #	DRAWING #
JARDINE	18-3101-142-02				1			T. MASTELL	04.04.02		18-3101-1

CHK	MATERIAL	CUT LENGTH
APPD	DESCRIPTION COMPLETE MUFFLER ASSEMBLY - KAW. ZX-9R	
SCALE N.T.S.	FINISH	REF.
REV	DESCRIPTION	DATE

ITEM NO.	QTY.	PART NO.	DESCRIPTION
1	1	33109	18" ALUMINUM CANISTER BODY
2	1	33286	BOLT-ON EXHAUST FLANGE
3	1	SOL-33675-02	2-1/4" S/S OUTLET ENDCAP
4	1	18-CORE1	STREET CORE ASSEMBLY



SUMMIT INDUSTRIES INC.

1220 West Railroad Street Corona, California 92882 (909) 371-1744 FAX (909) 371-1623