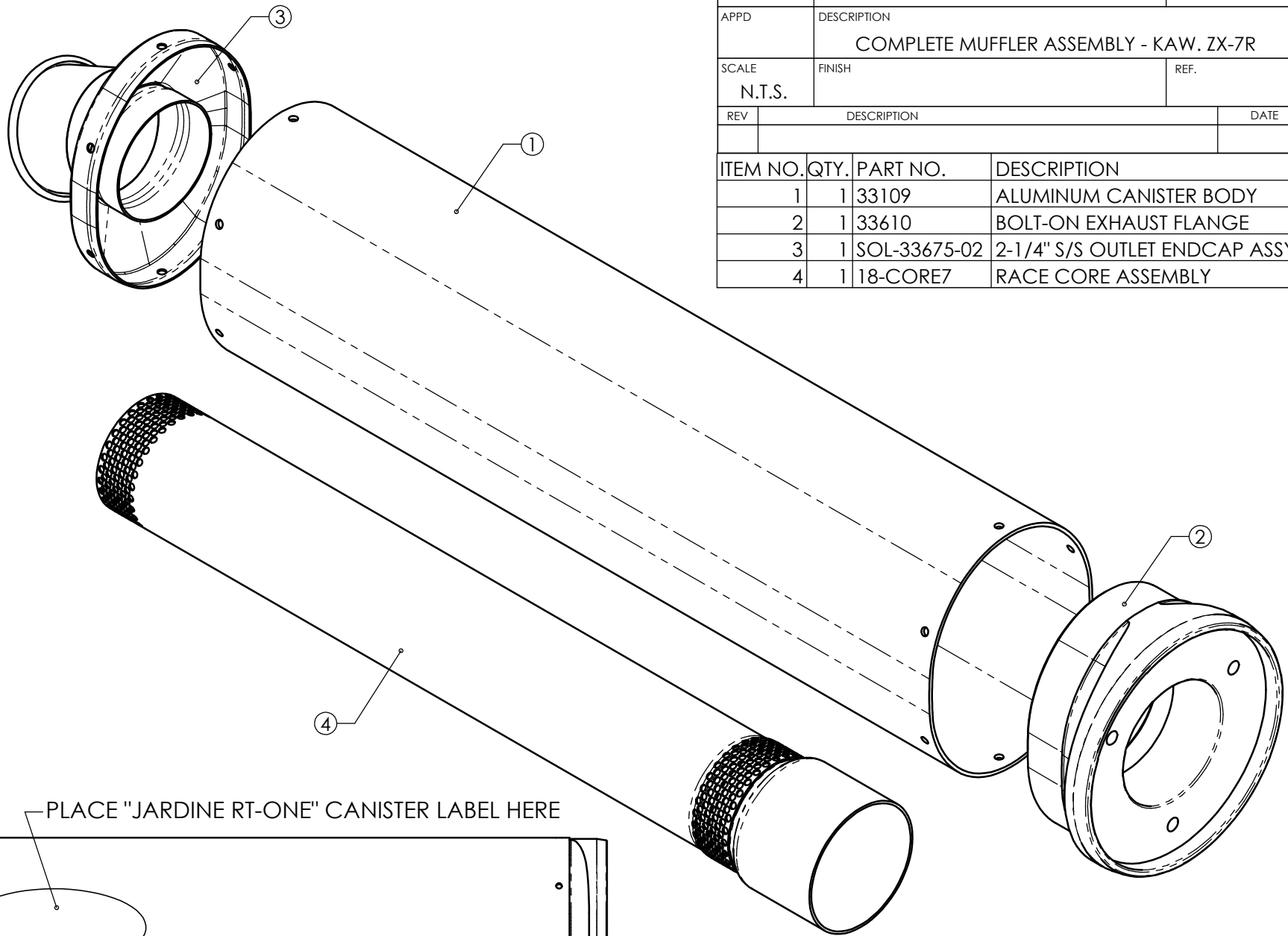


CUSTOMER	CATALOG #	W. O. #	DATE ISSUED	DATE REQ'D	QTY. EA. PER UNIT	W. O. QTY. REQ'D	FINISH	DRAWN BY	DATE	ASSY. #	DRAWING #
JARDINE	18-3102-143-02				1			T. MASTELL	05.24.04		18-3102-2
								CHK	MATERIAL	CUT LENGTH	
								APPD	DESCRIPTION		
								COMPLETE MUFFLER ASSEMBLY - KAW. ZX-7R			
								SCALE	FINISH	REF.	
								N.T.S.			
								REV	DESCRIPTION	DATE	



ITEM NO.	QTY.	PART NO.	DESCRIPTION
1	1	33109	ALUMINUM CANISTER BODY
2	1	33610	BOLT-ON EXHAUST FLANGE
3	1	SOL-33675-02	2-1/4" S/S OUTLET ENDCAP ASSY.
4	1	18-CORE7	RACE CORE ASSEMBLY

PLACE "JARDINE RT-ONE" CANISTER LABEL HERE