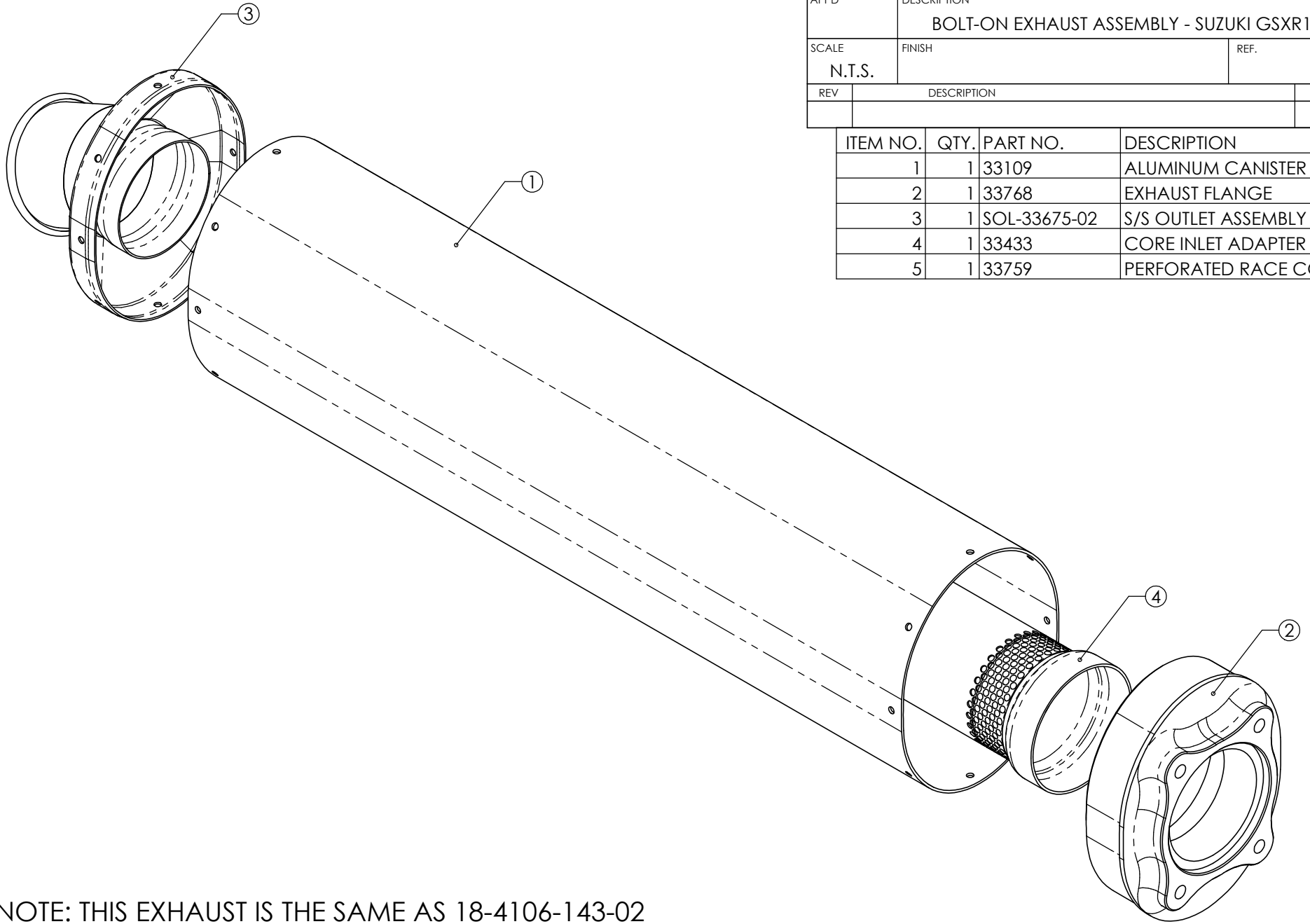


CUSTOMER	CATALOG #	W. O. #	DATE ISSUED	DATE REQ'D	QTY. EA. PER UNIT	W. O. QTY. REQ'D	FINISH	DRAWN BY	DATE	ASSY. #	DRAWING #	
JARDINE	18-4109-143-02				1			T. MASTELL	08.30.01		ASSEMBLY	
								CHK	MATERIAL	CUT LENGTH		
								APPD	DESCRIPTION			
								BOLT-ON EXHAUST ASSEMBLY - SUZUKI GSXR1000R				
								SCALE	FINISH	REF.		
								N.T.S.				
								REV	DESCRIPTION		DATE	



ITEM NO.	QTY.	PART NO.	DESCRIPTION
1	1	33109	ALUMINUM CANISTER
2	1	33768	EXHAUST FLANGE
3	1	SOL-33675-02	S/S OUTLET ASSEMBLY
4	1	33433	CORE INLET ADAPTER
5	1	33759	PERFORATED RACE CORE

NOTE: THIS EXHAUST IS THE SAME AS 18-4106-143-02