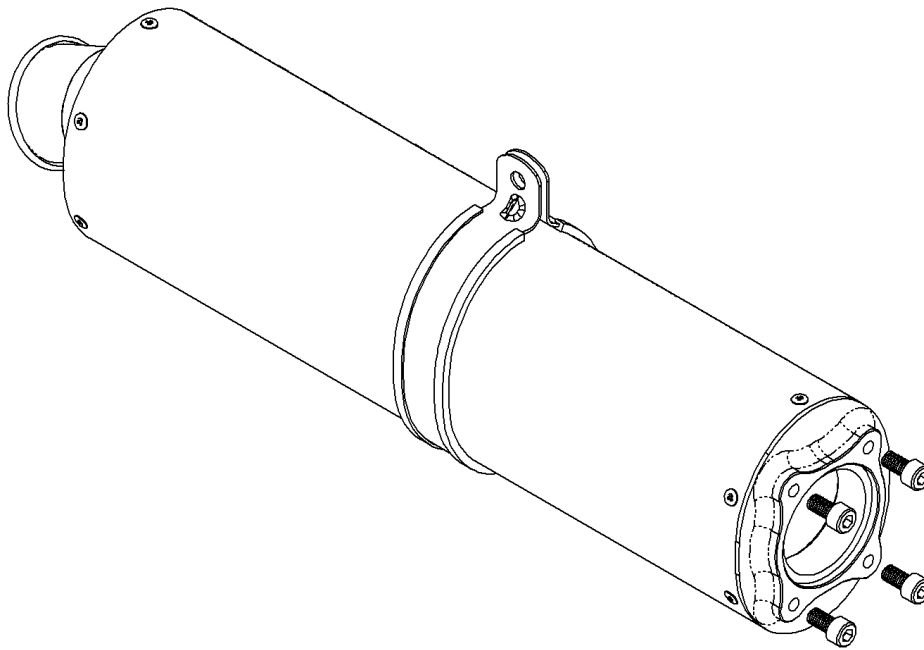




18-4110-\_\_\_-02

RT-1 BOLT-ON EXHAUST

SUZUKI GSX-R600  
2001-03



#### PARTS INCLUDED

- 1 - Bolt-on Muffler
- 1 - Muffler Strap
- 1 - Silicone Strip
- 4 - M8-1.25x16mm Socket Head Bolt

#### TOOLS REQUIRED

- Ratchet
- Sockets
- Allen Sockets
- Wrenches

18-4110-\_\_\_-02

RT-1 BOLT-ON EXHAUST

SUZUKI GSX-R600  
2001-03

---

## INSTALLATION INSTRUCTIONS

- 1) Remove the four bolts that secure the stock muffler to the midpipe flange.
- 2) Remove and retain the bolt and nut that secures the stock muffler to the passenger peg mount. Remove the stock muffler.
- 3) Remove the gasket from the stock muffler inlet and inspect. Replacement is suggested, but not required if you feel the gasket is still usable.
- 4) Place a gasket into the recess provided in the Jardine bolt-on flange.
- 5) Align the Jardine bolt-on flange against the midpipe mounting flange and loosely secure the muffler using the four provided M8-1.25x16mm socket head bolts. Do not fully tighten at this time.
- 6) Attach the supplied rubber strip to the inside of the muffler clamp. Slide the muffler clamp over the muffler, with the offset in the clamp toward the motorcycle, and squeeze both muffler clamp tabs together. Secure the muffler clamp to the passenger peg mount using the original bolt and nut. Do not fully tighten yet.
- 7) Align the exhaust system and tighten the four flange bolts. Then tighten the muffler clamp hardware.
- 8) Clean all fingerprints from the exhaust. WD40 should be used to clean any titanium. Start the motorcycle and check for any exhaust leaks.

18-4110-\_\_\_-02

RT-1 BOLT-ON EXHAUST

SUZUKI GSX-R600  
2001-03

---

## LIMITED WARRANTY INFORMATION

All Jardine products are warranted against defective materials and workmanship for a period of 90 days from date of original consumer purchase. Any non-defective item may be returned within 7 working days, and will be subject to a 20% restocking/repackaging fee.

### WHAT IS WARRANTED:

Any Jardine product returned, with prior approval, for defective materials or workmanship including chrome blistering, peeling, bubbling, or any unused (new) Jardine product with rust damage.

### WHO IS COVERED BY WARRANTY:

The original purchaser of the Jardine product who contacts Jardine first for approval, and who provides all the requested information of proof of purchase. Defective items may be returned to where they were purchased from (dealer, distributor, etc.) or directly to Jardine Performance Products for expediting.

### WHAT IS NOT WARRANTED:

Any Jardine product returned for chrome bluing.

Any Jardine product damaged or rendered inoperable and/or ineffective as a result of other accessories or modifications to the motorcycle.

Any Jardine product returned for missing hardware (contact Jardine for claims of missing hardware).

Any Jardine product returned without prior approval, R.O.G. (Return of Goods) number, and proof-of-purchase.

Any Jardine product that is not from the original owner.

Any Jardine product older than 90 days.

### EXTENT OF WARRANTY:

Returned goods must be sent freight prepaid to Jardine with R.O.G. number clearly marked on the outside of the package. Any product sent without prior approval, R.O.G. number, and proof-of-purchase will be refused. Items damaged in shipping are the responsibility of the freight carrier and all such claims must be made with the freight carrier.

Jardine reserves the right to either issue credit for the defective items, or replace the defective item. Any returned product found to be unopened (new), or free of defects will be returned freight collect to the customer.

Jardine will not be responsible for any other expenses, including labor for removal of defective parts, incurred by the customer under the terms of this warranty. Nor shall Jardine be responsible for any damages, whether consequential, special, contingent, or otherwise, or expenses or injury arising from the use of the Jardine product.