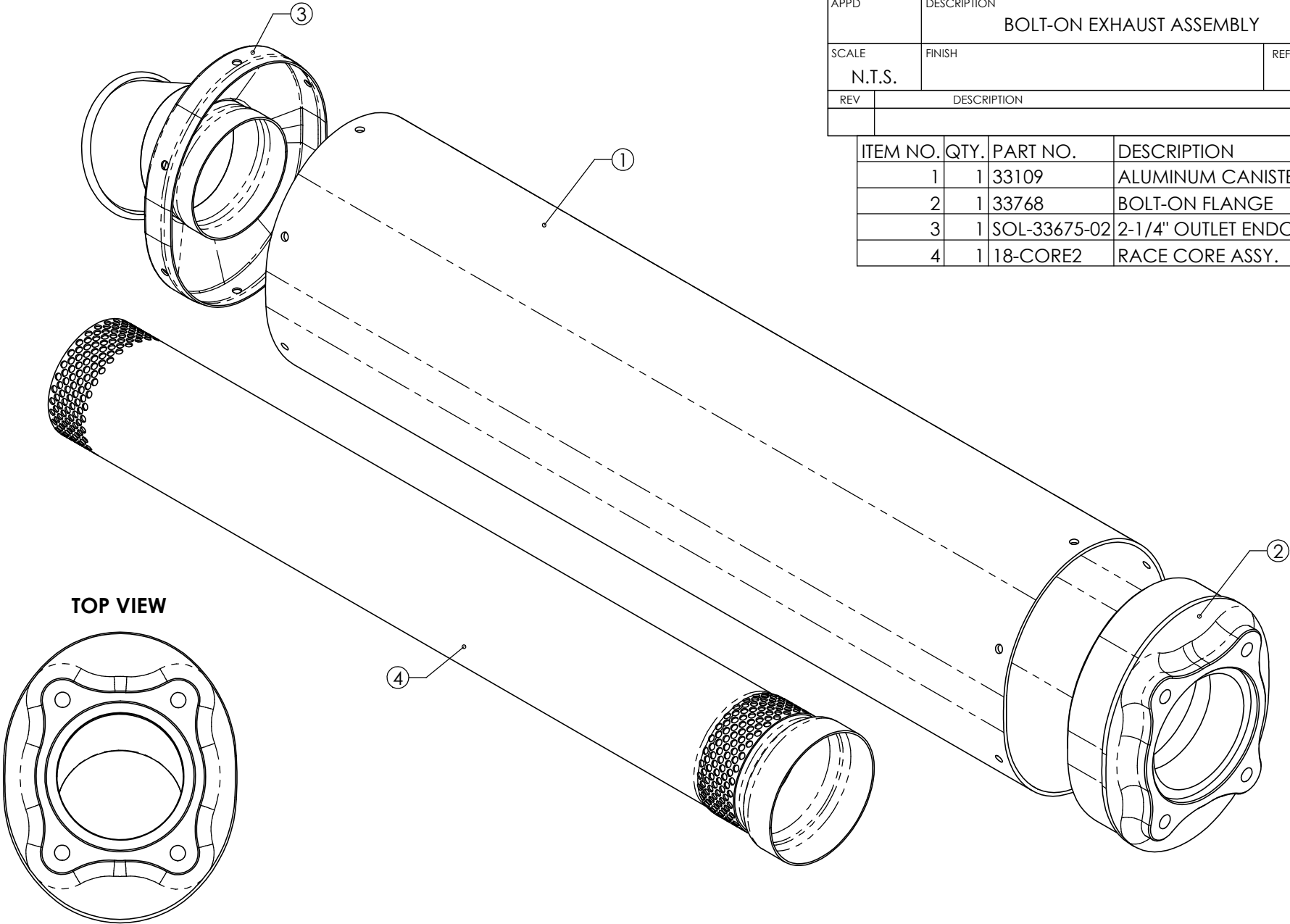


CUSTOMER	CATALOG #	W. O. #	DATE ISSUED	DATE REQ'D	QTY. EA. PER UNIT	W. O. QTY. REQ'D	FINISH	DRAWN BY	DATE	ASSY. #	DRAWING #
JARDINE	18-4113-143-02				1			T. MASTELL	08.30.01		18-4113-2

CHK	MATERIAL	CUT LENGTH
APPD	DESCRIPTION BOLT-ON EXHAUST ASSEMBLY	
SCALE N.T.S.	FINISH	REF.
REV	DESCRIPTION	DATE

ITEM NO.	QTY.	PART NO.	DESCRIPTION
1	1	33109	ALUMINUM CANISTER
2	1	33768	BOLT-ON FLANGE
3	1	SOL-33675-02	2-1/4" OUTLET ENDCAP ASSY.
4	1	18-CORE2	RACE CORE ASSY.



TOP VIEW