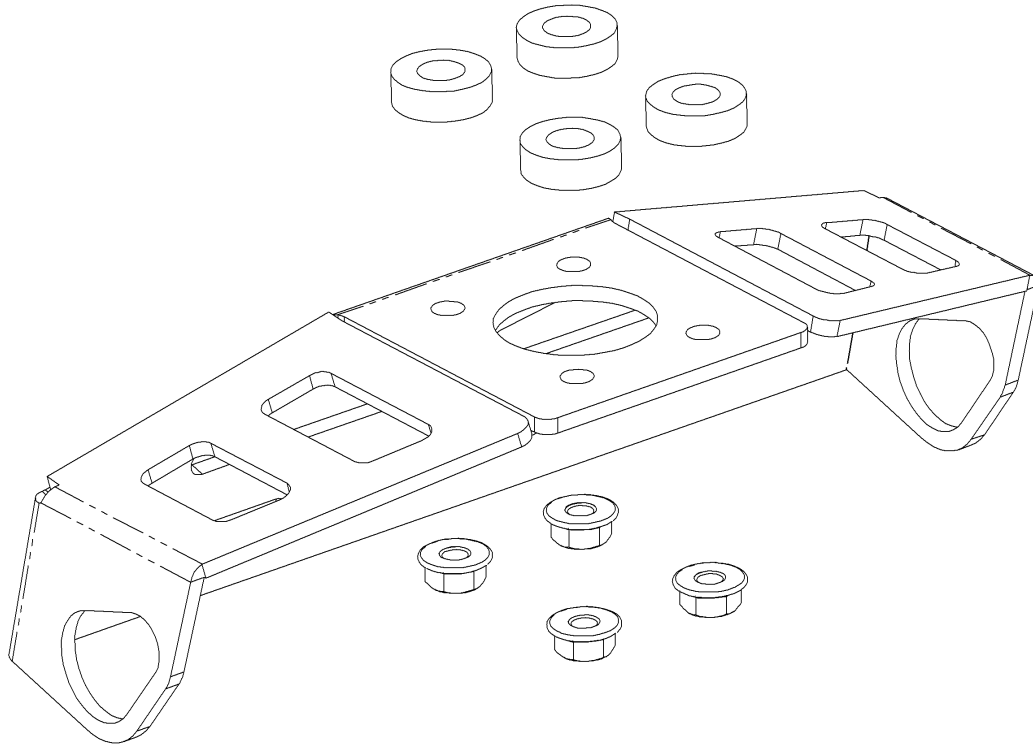




46-2002-03

SUPERSPORT FENDER KIT

YAMAHA YZF-R6 2006



PARTS INCLUDED

- 1 - Supersport Fender
- 4 - Mounting Spacers
- 4 - M6-1.0 Nylock Hex Nuts

TOOLS REQUIRED

- Ratchet
- 8mm Socket
- 10mm Socket
- 8mm Wrench
- 10mm Wrench

46-2002-03

SUPERSPORT FENDER KIT

YAMAHA YZF-R6 2006

INSTALLATION INSTRUCTIONS

- 1) Remove the passenger seat. Remove the tool kit and any other equipment you may have in the trunk area.
- 2) Disconnect the turn signal wires inside the trunk. Feed them out of the hole provided.
- 3) Remove the four bolts that secure the original turn signal mount to the motorcycle. Remove the turn signal mount.
- 4) Remove the left & right turn signals from the original mount. Install them onto the new Supersport Fender in the same fashion as stock.
- 5) Place the four spacers provided between the supersport fender and the tail section of the motorcycle. Secure the Supersport Fender to the tail section using the original bolts and the four provided M6-1.0 hex nylock nuts.
- 6) Feed the turn signal wires through the hole provided in the tail section. Reconnect the turn signal wires.
- 7) Turn on the motorcycle and make sure your turn signals are operating properly.
- 8) Place your tool kit and other equipment inside the trunk.
- 9) Reinstall the passenger seat.
- 10) Mount your license plate to the Supersport Fender.

46-2002-03

SUPERSPORT FENDER KIT

YAMAHA YZF-R6 2006

LIMITED WARRANTY INFORMATION

All Jardine products are warranted against defective materials and workmanship for a period of 90 days from date of original consumer purchase. Any non-defective item may be returned within 7 working days, and will be subject to a 20% restocking/repackaging fee.

WHAT IS WARRANTED:

Any Jardine product returned, with prior approval, for defective materials or workmanship including chrome blistering, peeling, bubbling, or any unused (new) Jardine product with rust damage.

WHO IS COVERED BY WARRANTY:

The original purchaser of the Jardine product who contacts Jardine first for approval, and who provides all the requested information and proof of purchase. Defective items may be returned to where they were purchased from (dealer, distributor, etc.) or directly to Jardine Performance Products for expediting.

WHAT IS NOT WARRANTED:

Any Jardine product returned for chrome bluing.

Any Jardine product damaged or rendered inoperable and/or ineffective as a result of other accessories or modifications to the motorcycle.

Any Jardine product returned for missing hardware (contact Jardine for claims of missing hardware).

Any Jardine product returned without prior approval, R.O.G. (Return of Goods) number, and proof-of-purchase.

Any Jardine product that is not from the original owner.

Any Jardine product older than 90 days.

EXTENT OF WARRANTY:

Returned goods must be sent freight prepaid to Jardine with R.O.G. number clearly marked on the outside of the package. Any product sent without prior approval, R.O.G. number, and proof-of-purchase will be refused. Items damaged in shipping are the responsibility of the freight carrier and all such claims must be made with the freight carrier.

Jardine reserves the right to either issue credit for the defective items, or replace the defective item. Any returned product found to be unopened (new), or free of defects will be returned freight collect to the customer.

Jardine will not be responsible for any other expenses, including labor for removal of defective parts, incurred by the customer under the terms of this warranty. Nor shall Jardine be responsible for any damages, whether consequential, special, contingent, or otherwise, or expenses or injury arising from the use of the Jardine product.