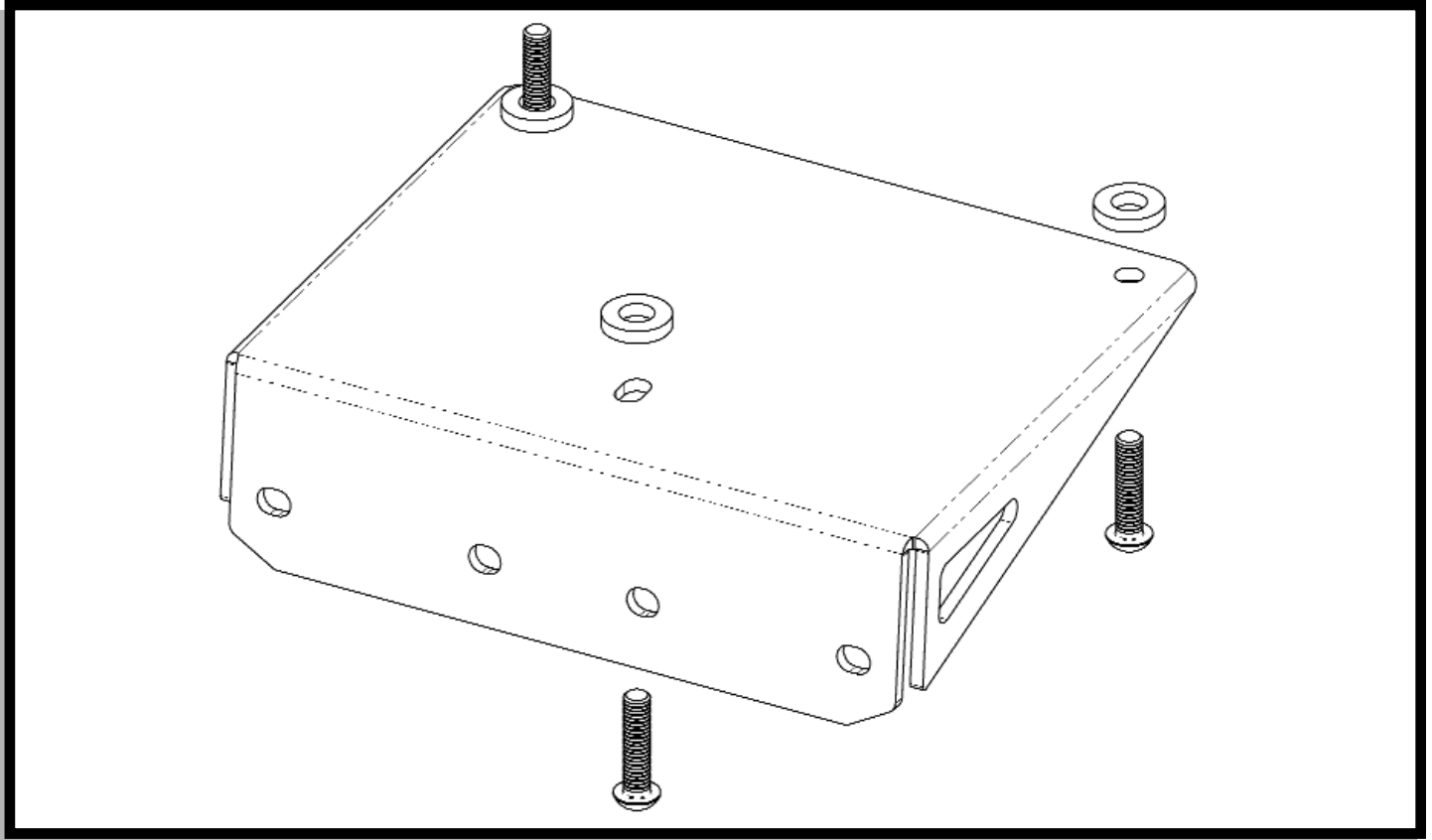




46-3005-03

SUPERSPORT FENDER KIT

KAWASAKI ZX-14
2006-07



PARTS INCLUDED

- 1 - Supersport Fender
- 3 - M6-1.0x25mm Socket Button Head Bolts
- 3 - Nylon Mounting Spacers

TOOLS REQUIRED

- Ratchet
- 10mm Socket
- 12mm Socket
- 14mm Socket
- 4mm Allen Socket

46-3005-03

SUPERSPORT FENDER KIT

KAWASAKI ZX-14
2006-07

INSTALLATION INSTRUCTIONS

- 1) Remove the passenger seat. Remove the tool kit and any other equipment you may have in the trunk area.
- 2) Disconnect the license plate light plug inside the trunk area.
- 3) Remove the three bolts securing the original rear fender/license plate mount to the tail section. Remove the rear fender.
- 4) Place the supplied mounting spacers between the new Supersport Fender Bracket and the tail section of the motorcycle. Secure the new bracket to the motorcycle using the three supplied M6-1.00x25mm button head bolts. Tighten bolts to 9.5 lb-ft.
- 5) Reinstall the rider seat and passenger seat (or rear cowl).
- 6) Turn on the motorcycle and make sure all lighting and turn signals are working properly.
- 7) Mount your license plate to the Supersport Fender.

46-3005-03

SUPERSPORT FENDER KIT

KAWASAKI ZX-14
2006-07

LIMITED WARRANTY INFORMATION

All Jardine products are warranted against defective materials and workmanship for a period of 90 days from date of original consumer purchase. Any non-defective item may be returned within 7 working days, and will be subject to a 20% restocking/repackaging fee.

WHAT IS WARRANTED:

Any Jardine product returned, with prior approval, for defective materials or workmanship including chrome blistering, peeling, bubbling, or any unused (new) Jardine product with rust damage.

WHO IS COVERED BY WARRANTY:

The original purchaser of the Jardine product who contacts Jardine first for approval, and who provides all the requested information and proof of purchase. Defective items may be returned to where they were purchased from (dealer, distributor, etc.) or directly to Jardine Performance Products for expediting.

WHAT IS NOT WARRANTED:

Any Jardine product returned for chrome bluing.

Any Jardine product damaged or rendered inoperable and/or ineffective as a result of other accessories or modifications to the motorcycle.

Any Jardine product returned for missing hardware (contact Jardine for claims of missing hardware).

Any Jardine product returned without prior approval, R.O.G. (Return of Goods) number, and proof-of-purchase.

Any Jardine product that is not from the original owner.

Any Jardine product older than 90 days.

EXTENT OF WARRANTY:

Returned goods must be sent freight prepaid to Jardine with R.O.G. number clearly marked on the outside of the package. Any product sent without prior approval, R.O.G. number, and proof-of-purchase will be refused. Items damaged in shipping are the responsibility of the freight carrier and all such claims must be made with the freight carrier.

Jardine reserves the right to either issue credit for the defective items, or replace the defective item. Any returned product found to be unopened (new), or free of defects will be returned freight collect to the customer.

Jardine will not be responsible for any other expenses, including labor for removal of defective parts, incurred by the customer under the terms of this warranty. Nor shall Jardine be responsible for any damages, whether consequential, special, contingent, or otherwise, or expenses or injury arising from the use of the Jardine product.