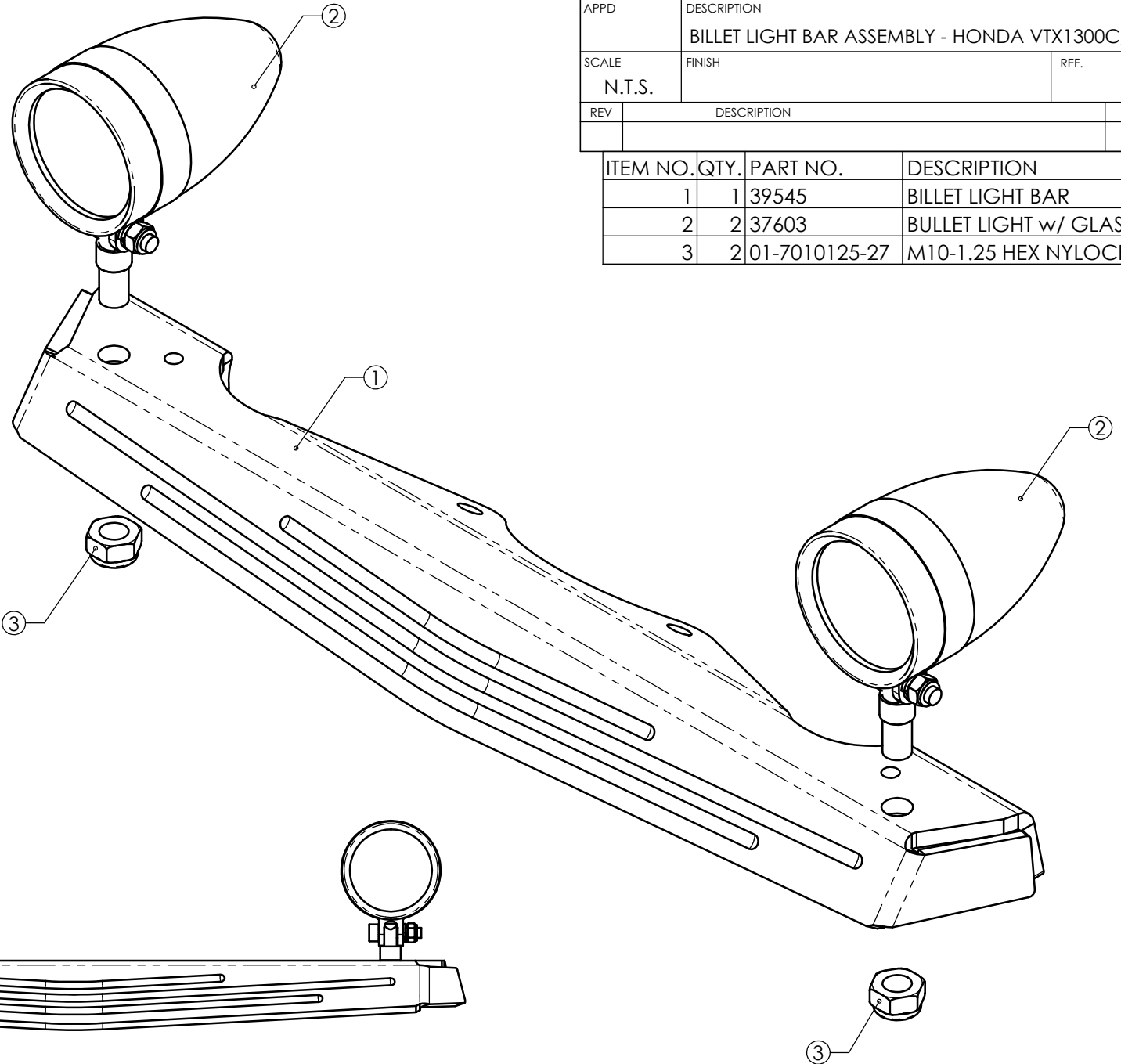


CUSTOMER	CATALOG #	W. O. #	DATE ISSUED	DATE REQ'D	QTY. EA. PER UNIT	W. O. QTY. REQ'D	FINISH	DRAWN BY	DATE	ASSY. #	DRAWING #
JARDINE	59-1110-01				1			T. MASTELL	05.19.04		59-1110-1
								CHK	MATERIAL	CUT LENGTH	
								APPD	DESCRIPTION		
								BILLET LIGHT BAR ASSEMBLY - HONDA VTX1300C/1800C			
								SCALE	FINISH	REF.	
								N.T.S.			
								REV	DESCRIPTION	DATE	



ITEM NO.	QTY.	PART NO.	DESCRIPTION
1	1	39545	BILLET LIGHT BAR
2	2	37603	BULLET LIGHT w/ GLASS LENS
3	2	01-7010125-27	M10-1.25 HEX NYLOCK NUT