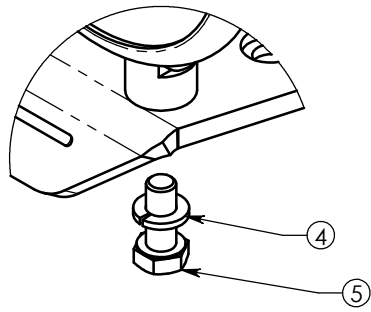
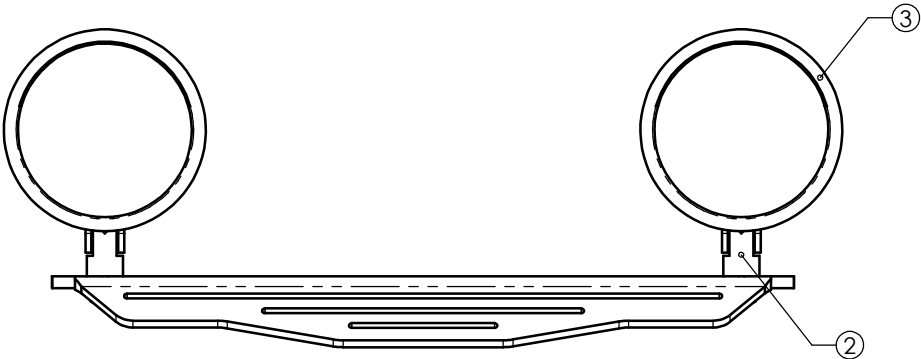
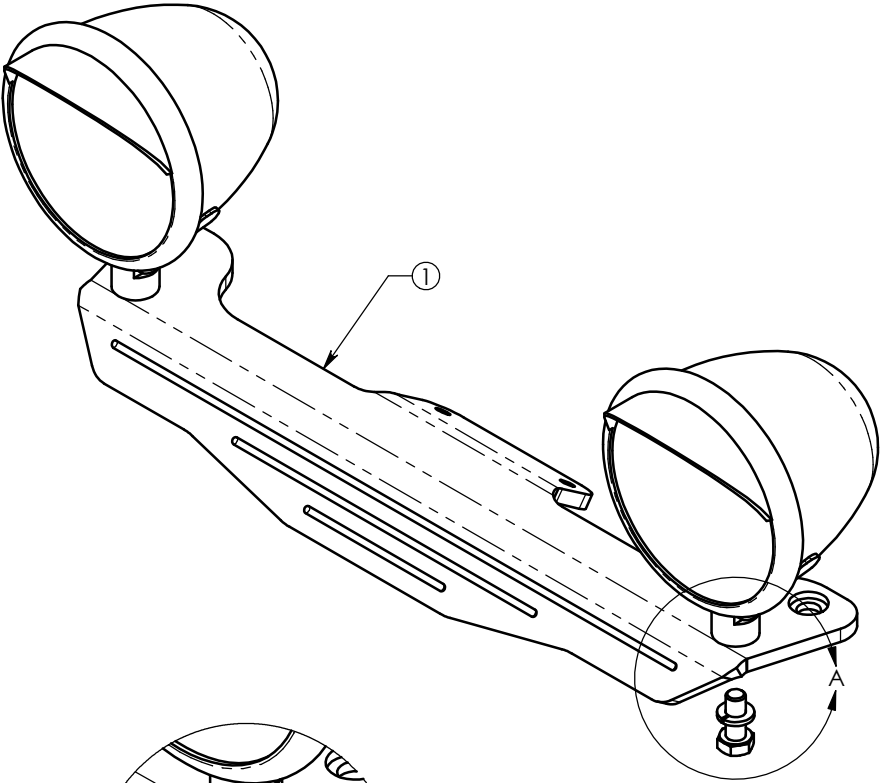
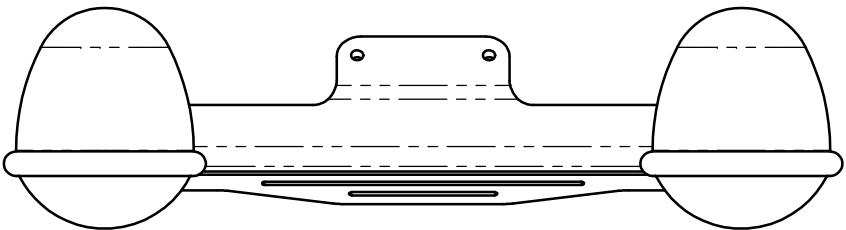


CUSTOMER	CATALOG #	W. O. #	DATE ISSUED	DATE REQ'D	QTY. EA. PER UNIT	W. O. QTY. REQ'D	FINISH	DRAWN BY	DATE	ASSY. #	DRAWING #	
JARDINE	59-2104-01				1			R.BLACK	04-08-04		59-2104-1	
								CHK	MATERIAL	CUT LENGTH		
								APPD	DESCRIPTION			
								LIGHT BAR ASSEMBLY				
								SCALE	FINISH	REF.		
								1:4				
								REV	DESCRIPTION		DATE	

ITEM NO.	QTY.	PART NO.	DESCRIPTION
1	1	39421	LIGHTBAR ASSEMBLY
2	2	32913	SPOT LIGHT MOUNT
3	2	37602	SPOT LIGHT W/O INDICATOR
4	2	4205	SPLIT LOCK WASHER
5	2	500812520	HEX HEAD CAP SCREW



DETAIL A
SCALE 1 : 2