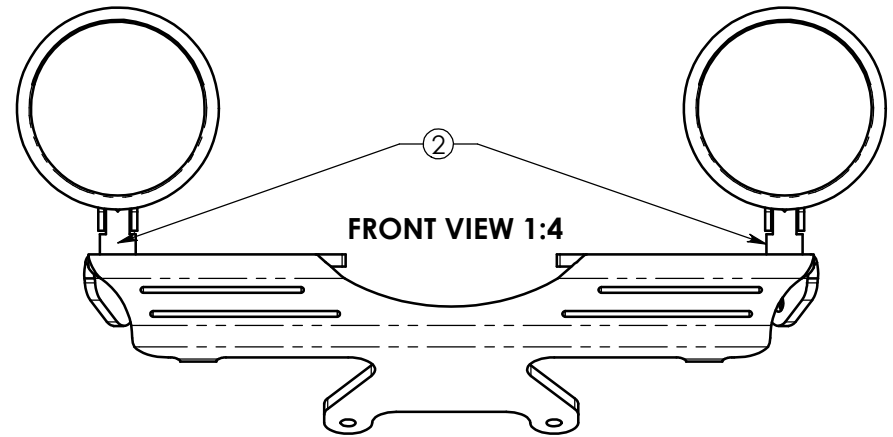
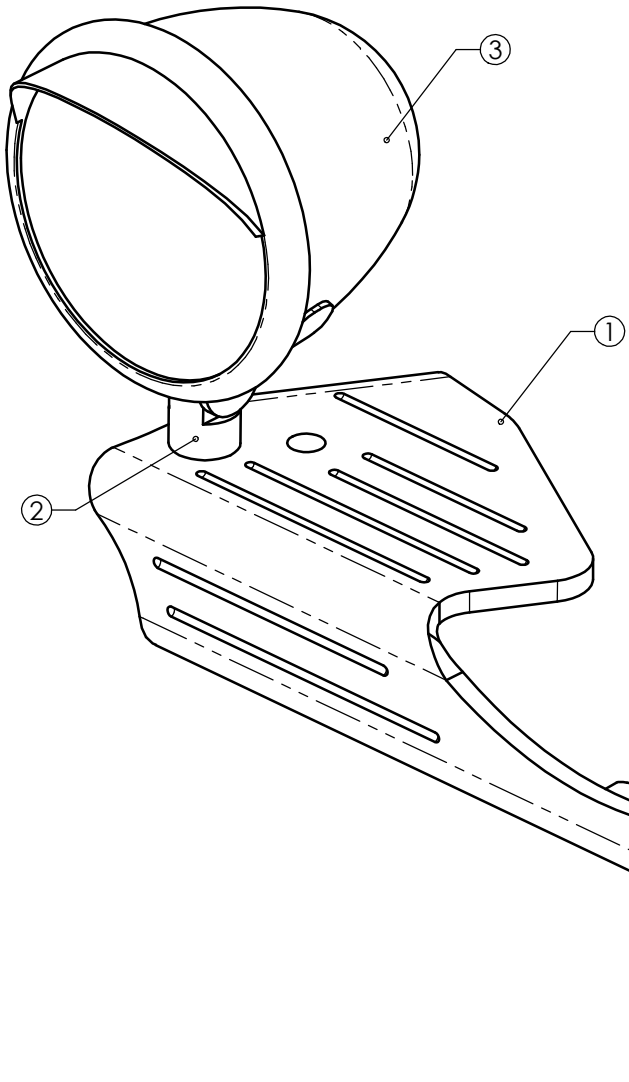


CUSTOMER	CATALOG #	W. O. #	DATE ISSUED	DATE REQ'D	QTY. EA. PER UNIT	W. O. QTY. REQ'D	FINISH	DRAWN BY	DATE	ASSY. #	DRAWING #
JARDINE	59-3104-01				1			R. BLACK	08-01-03		59-3104-1
ITEM NO.	QTY.	PART NO.	DESCRIPTION								
1	1	38767	LIGHT BAR BODY								
2	2	32913	SPOT LIGHT MOUNT								
3	2	37602	SPOT LIGHT W/O INDICATOR								
4	2	510812525	BUTTON HEAD CAP SCREW								
CHK	MATERIAL									CUT LENGTH	
APPD	DESCRIPTION										
LIGHT BAR ASSEMBLY											
SCALE	FINISH									REF.	
1:2											
REV	DESCRIPTION										DATE



RIGHT VIEW 1:3

